

Safety Ladders: Hot Dip Galvanized/Stainless Steel

Y-Spar

Guide-rail profile: 50 x 32 mm. Comes with joint plate. Mounting brackets extra to order. Recommended mounting distance 1400 mm - max. 1680 mm. Installation of bracket to ladder is carried out through the rectangular cut outs in the back of the guide-rail. See page B 3. Maximum section length: 4480 mm. Rung distance: 280 mm centres. Step width per side: 150 mm

Galvanized steel

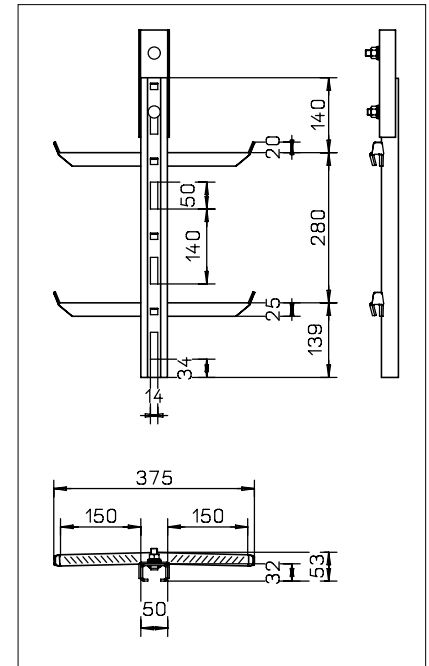
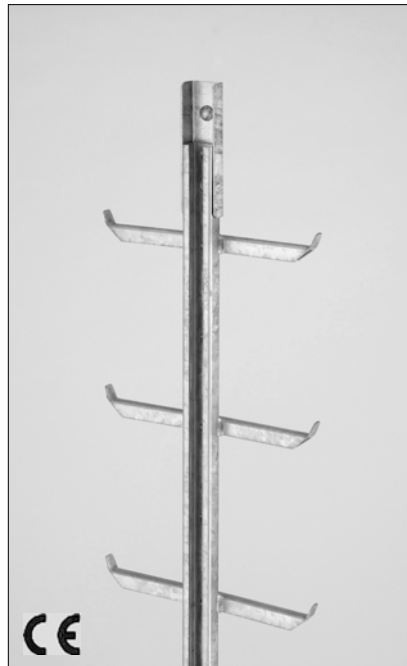
Weight: 5,0 kg per metre

Part No. YST-<length in mm>

Stainless steel, pickled

Weight: 5,0 kg per metre

Part No. YA4-<length in mm>



Y-Spar with anti-slipping rungs

Perforated rungs for use in slippery conditions, e.g. in manholes. Guide-rail profile: 50 x 32 mm. Comes with joint plate. Mounting brackets extra to order. Recommended mounting distance 1400 mm - max. 1680 mm. Installation of bracket to ladder is carried out through the rectangular cut outs in the back of the guide-rail. See page B 3. Maximum section length: 4480 mm. Rung distance: 280 mm centres. Step width per side: 150 mm

Galvanized steel

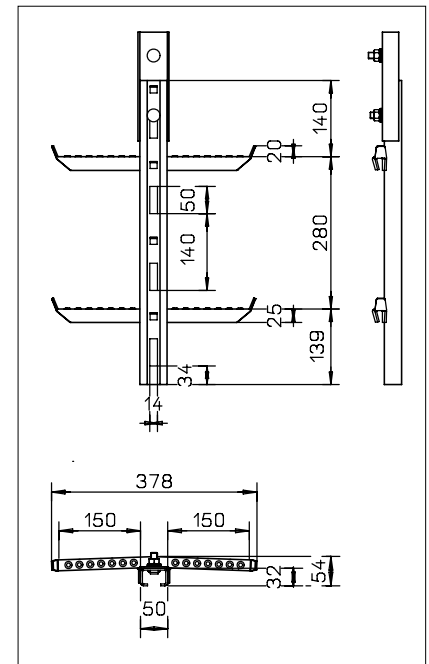
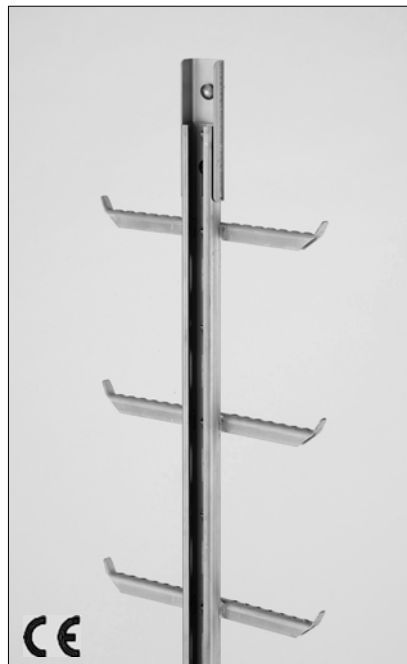
Weight: 5,0 kg per metre

Part No. YST-<length in mm>-L

Stainless steel, pickled

Weight: 5,0 kg per metre

Part No. YA4-<length in mm>-L



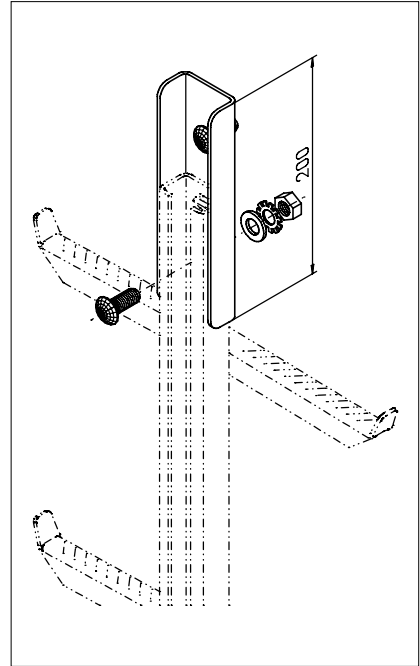
Safety Ladders: Hot Dip Galvanized/Stainless Steel

Connectors

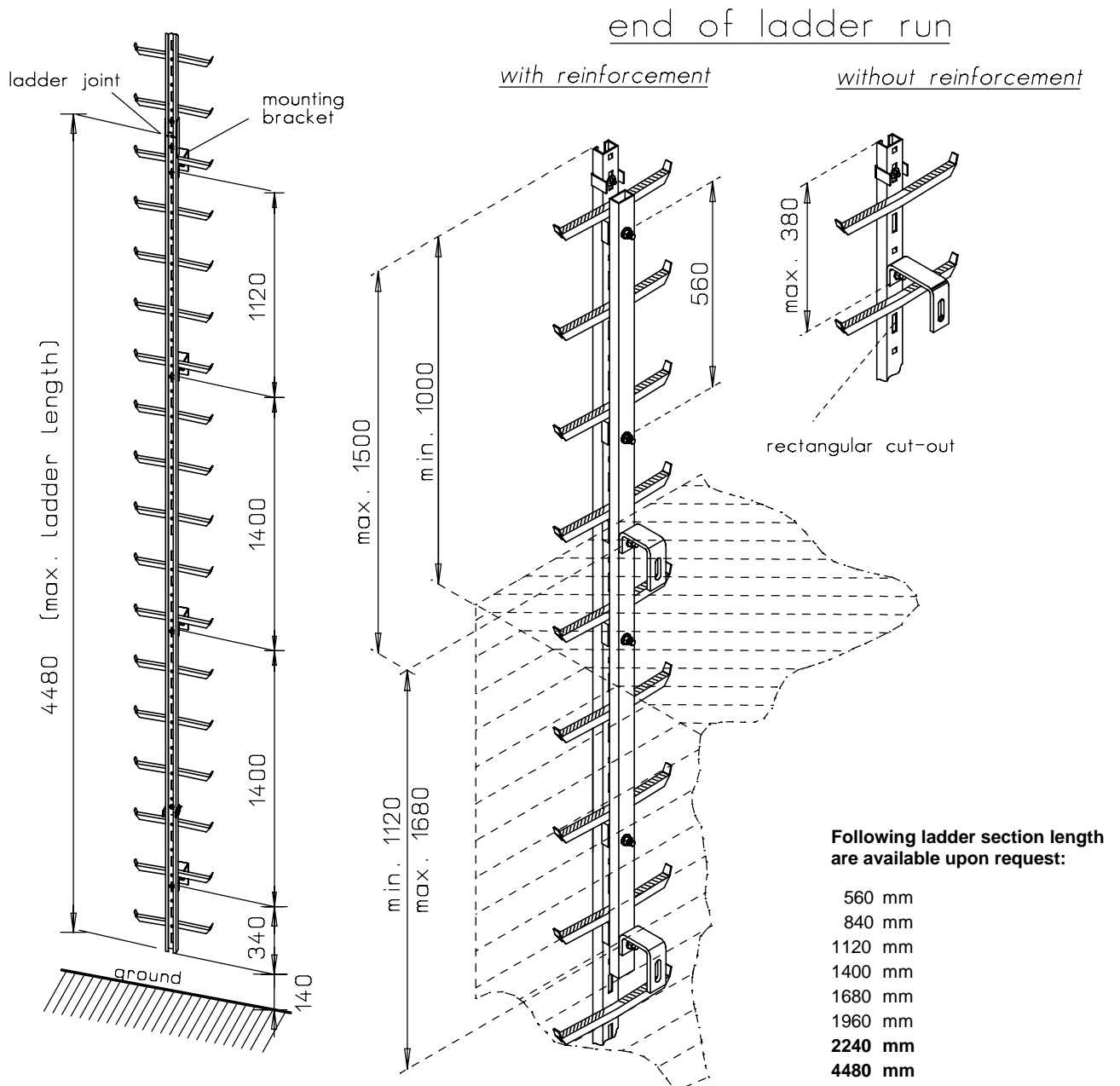
To connect Y-ladders. Complete with all mounting screws. Included in the delivery of each Y-ladder (page B 1). Must be used when an existing ladder is cut and reconnected.

Weight: 0,6 kg/each

Part No. 17370



Fixing points for Y-spar made of galvanized/stainless steel. Using a recommended mounting distance between brackets of 1.400 mm up to a max. of 1.680 mm.



Warning:

For design reasons the guide rail of the ladder must be reinforced if, at the end of the ladder run, the guide-rail rises more than 380 mm above the last mounting bracket. **Projections of more than 380 mm without extra reinforcement are not permitted.** The SÖLL guide rail reinforcement made of galvanized steel/stainless steel 50 mm x 30 mm x 3 mm is bolted onto the guide rail from the back at a distance of 560 mm and must extend down over at least two mounting brackets.

Ladder length = 4480 mm
Rung distance = 280 mm

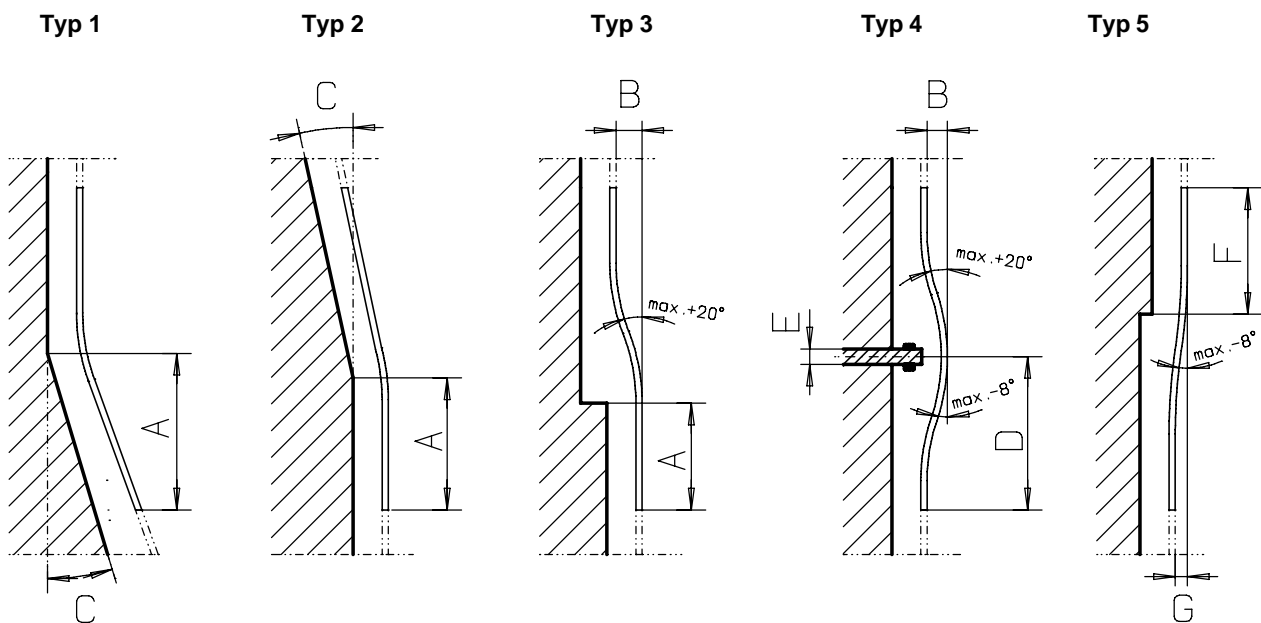
Technical specifications are subject to change without notice.

Smallest radii for ladders made of galvanized/stainless steel, shown in mm:

Part. No.	Page	Article	Minimum radius in mm
YST	B 1	Y-Spar, Galvanized steel	1000
YA4	B 1	Y-Spar, Stainless steel pickled	1000
YST-L	B 1	Y-Spar, Galvanized steel with perforated rungs	1000
YA4-L	B 1	Y-Spar, Stainless steel pickled with perforated rungs	1000

Important information for planning:

Bending Y-spar ladder aluminium: **Part No. YST-<Typ>**
 Bending Twin ladder aluminium: **Part No. YA4-<Typ>**



A = Bottom edge of ladder to salient point of structure

B = Of-set (mm)

C = Angle (max. 15 °)

D = Bottom edge to centre of obstruction

E = Width of obstruction

F = Upper edge of ladder to off-set

G = Of-set (max. 260 mm)

The length of the bend depends on the bending radius and on the angle (type 1 +) and/or off-set (typed 3 - 5).

Technical specifications are subject to change without notice.

Safety Ladders: Hot Dip Galvanized/Stainless Steel End-Stops

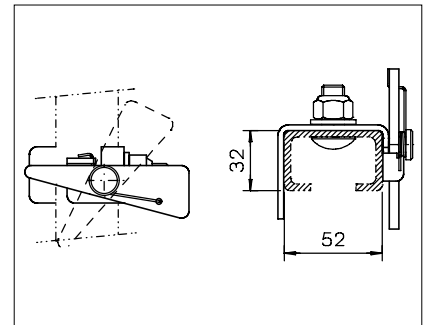
Top End-Stop, spring activated

Prevents the fall arrester from either being inserted incorrectly or accidentally slipping out of the guide-rail. For fitting to the very top of the ladder system. Comes with all fixings.

Stainless steel, pickled

Weight: 0,2 kg/each

Part No. 21050



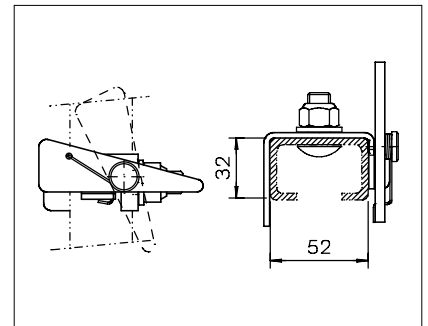
Bottom End-Stop, spring activated

Prevents the fall arrester from either being inserted incorrectly or accidentally slipping out of the guide-rail. For fitting to the very beginning of the ladder system. Comes with all fixings.

Stainless steel, pickled

Weight: 0,2 kg/each

Part No. 21049



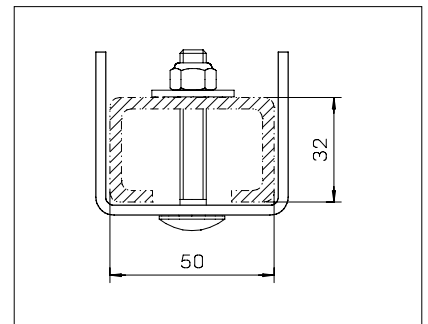
Rigid End-Stop

Does not allow the fall arrester being taken out of the very top ladder section. Comes with all fixings.

Stainless steel, pickled

Weight: 0,2 kg/each

Part No. 11634



Safety Ladders: Hot Dip Galvanized/Stainless Steel Mounting brackets

Mounting bracket

Comes with installation elements for fixing ladder to bracket. Wall attachment must be drilled to suit site conditions. Minimum bolt diameter for wall fixing: M 16. Projection in 5mm steps of 70 to max. 280mm. By moving and turning the bracket, each point of the structure can be reached (variable fixing distance).

Weight: depending on the projection

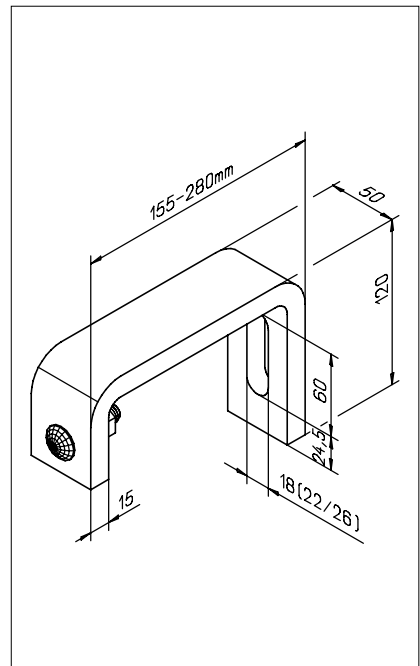
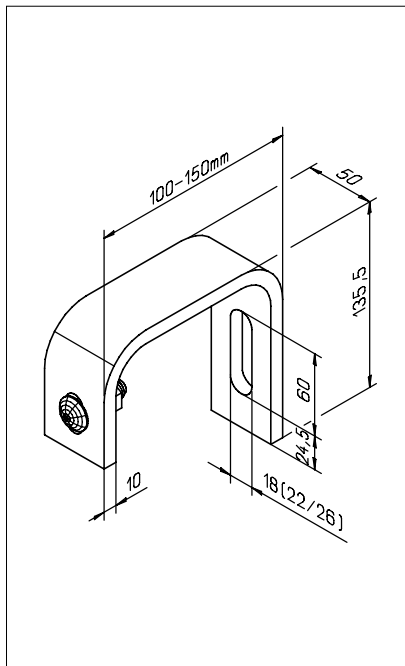
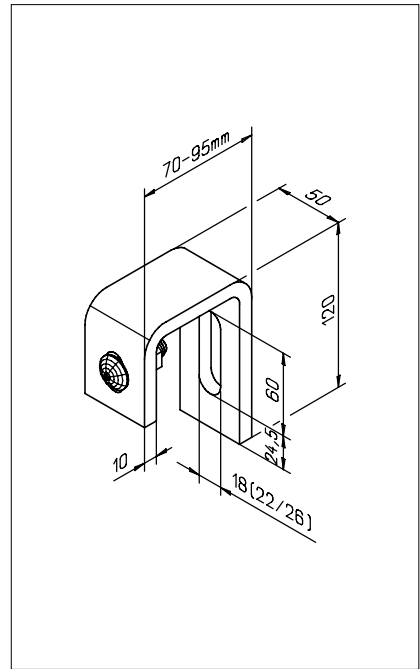
Galvanized steel

Part No. BB-SSTR-<projection in mm>

Stainless steel, pickled

Part No. BB-SA4R-<projection in mm>

Special projections (i.e., 163 mm) are realised by using supporting dishes.



Note:

The projection „L“ is subject to the type of the bracket.

Technical specifications are subject to change without notice.

Safety Ladders: Hot Dip Galvanized/Stainless Steel Mounting brackets

Clamp

Projection of 1000mm possible. Comes with all installation elements. When ordering, please state the exact mast diameter „D“ and the projection „L“.

Material thickness „z“ of the clamp shares:

-> till Ø 210 mm "z" = 6 mm

-> from Ø 220 mm "z" = 8 mm

Weight: Depending on mast diameter

Mast diameter: min. 60 mm

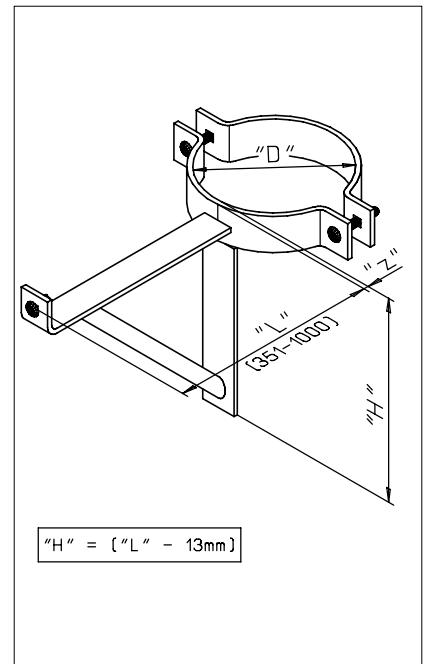
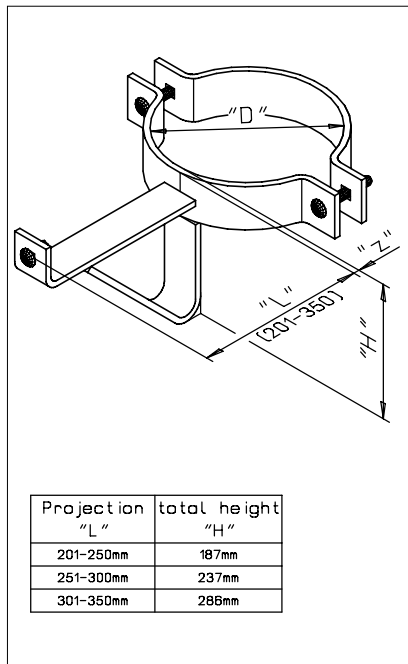
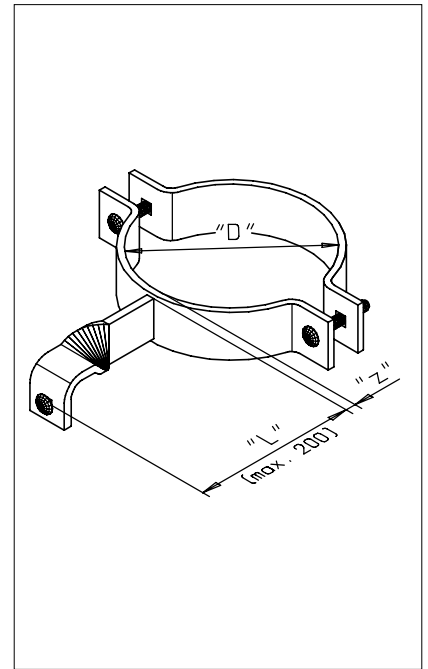
Mast diameter: max. 1500 mm

Galvanized steel

Part No. BS-STR-<Ø in mm>

Stainless steel, pickled

Part No. BS-A4R-<Ø in mm>



Note:

The projection „L“ is subject to the type of the bracket.

Technical specifications are subject to change without notice.

Safety Ladders: Hot Dip Galvanized/Stainless Steel Mounting brackets

Angle Corner Mounting Bracket

For use on corner struts of lattice masts. Projection: 150 mm. Comes with all installation elements. Different projection upon request. Support structure must be checked for sufficient strength. Made of galvanized steel.

For angle leg dimension up to 100 mm x 100 mm

Weight: 1,2 kg/each

Part No. 11025

For angle leg dimension from 110 mm x 110 mm up to 140 mm x 140 mm

Weight: 1,4 kg/each

Part No. 14696

For angle leg dimension from 150 mm x 150 mm up to 180 mm x 180 mm

Weight: 1,6 kg/each

Part No. 14698

For angle leg dimension from 190 mm x 190 mm up to 220 mm x 220 mm

Weight: 2,2 kg/each

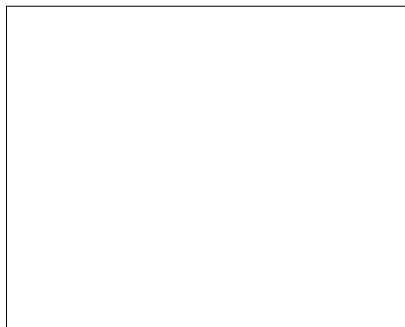
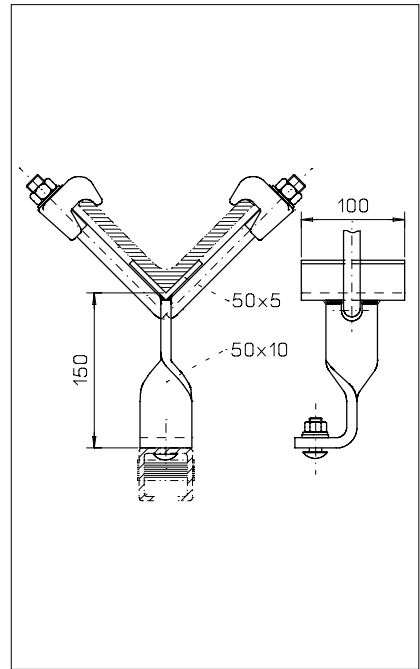
Part No. 14699

For angle leg dimension from 230 mm x 230 mm up to 260 mm x 260 mm

Weight: 2,4 kg/each

Part No. 14700

With cable holder upon request



Mounting bracket

For refitting safety ladders to under-structures made of round tube steel. Comes with all installation elements. Support structure must be checked for sufficient strength.

Galvanized steel

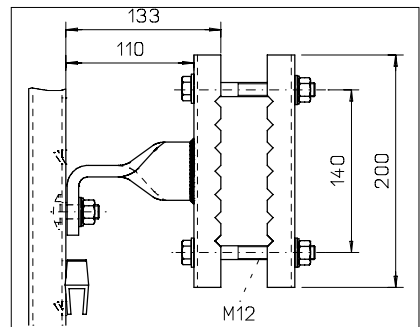
Weight: 1,4 kg/each

Part No. 11222

Stainless steel, pickled

Weight: 1,5 kg/each

Part No. 16601



Note:

The projection „L“ is subject to the type of the bracket.

Technical specifications are subject to change without notice.

Safety Ladders: Hot Dip Galvanized/Stainless Steel Mounting brackets

Mounting bracket

with adjustable projections. Complete with all ladder mounting elements. Wall attachment must be adapted to suit the structural conditions. Min. dimensions M 16.

Galvanized steel

Weight: 2,5 kg/each

L = 150 - 225 mm

Part No. BB-VSTR 150-225

L = 225 - 300 mm

Part No. BB-VSTR 225-300

L = 300 - 375 mm

Part No. BB-VSTR 300-375

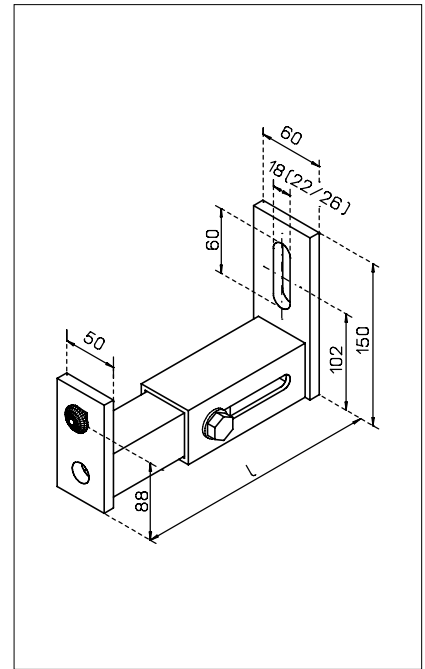
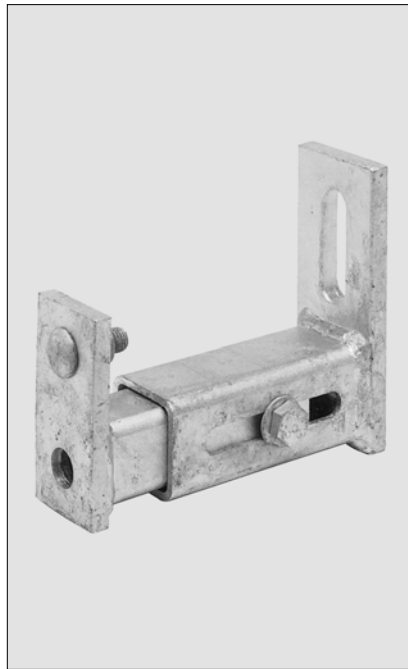
Stainless steel, pickled

Weight: 2,5 kg/each

L = 150 - 225 mm

Part No. BB-VA4R 150-225

Greater projections upon request.



Fixing clamp

with adjustable projection. Complete with all ladder fixing elements. When ordering, please indicate the exact mast diameter as well as the projection span.

Weight: depends on mast diameter

Mast diameter: min. 60 mm

Mast diameter: max. 1500 mm

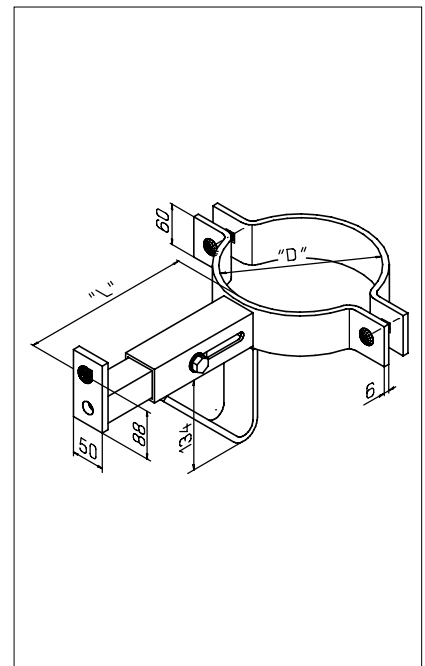
Galvanized steel

Projection spans:

L = 200 - 275 mm

L = 276 - 350 mm

Part No. BS-VSTR- $\langle \emptyset \text{ in mm} \rangle$



Note:

The projection „L“ is subject to the type of the bracket.

Technical specifications are subject to change without notice.

Safety Ladders: Hot Dip Galvanized/Stainless Steel Mounting brackets

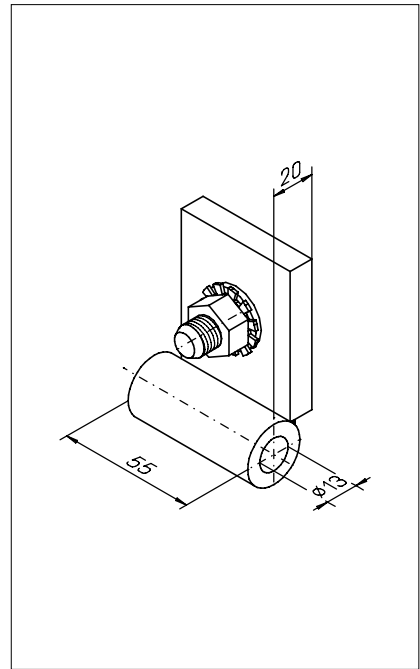
Adapter

for connection of mounting bracket 15563 and steel ladder.

Galvanized steel

Weight: 0,3 kg/each

Part No. 18803

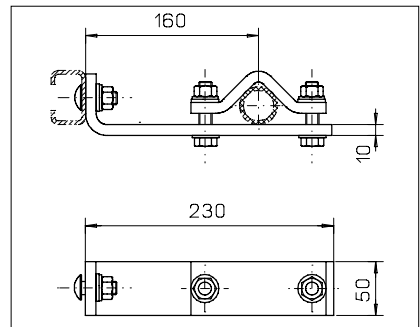
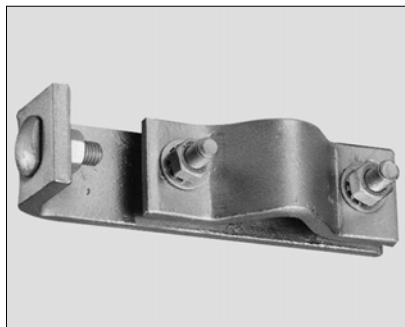


Bracket

For use on tubular mast members of 20 - 70 mm diameter. Made from galvanized steel. Comes with galvanized steel installation elements. Support structure must be checked for sufficient strength.

Weight: 1,8 kg/each

Part No. 12709



Weld-On bracket

Becomes fixed to the structure by welding. Projection: 150 mm. Other projections up to 280 mm max. upon request.

Untreated steel S235JRG2C

Weight: 0,75 kg/each

Part No. 12732

Galvanized steel S235JRG2C

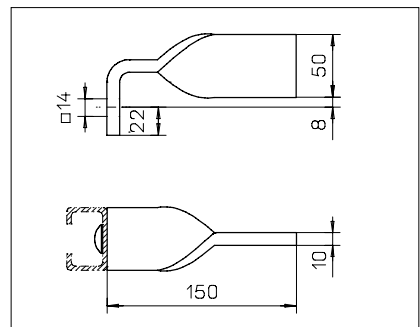
Weight: 0,75 kg/each

Part No. 16629

Stainless steel, pickled

Weight: 0,75 kg/each

Part No. 16596



Note:

The projection „L“ is subject to the type of the bracket.

Technical specifications are subject to change without notice.

Safety Ladders: Hot Dip Galvanized/Stainless Steel Mounting brackets

Mounting bracket with adapter

with adjustable projection. Suitable in area of ladder bends. Complete with all ladder mounting elements. Wall attachment must be adapted to suit the structural conditions. Min. dimensions M 16.

Galvanized steel

Weight: 3,0 kg/each

L = 220 - 295 mm

Part No. BB-VSTAD 220-295

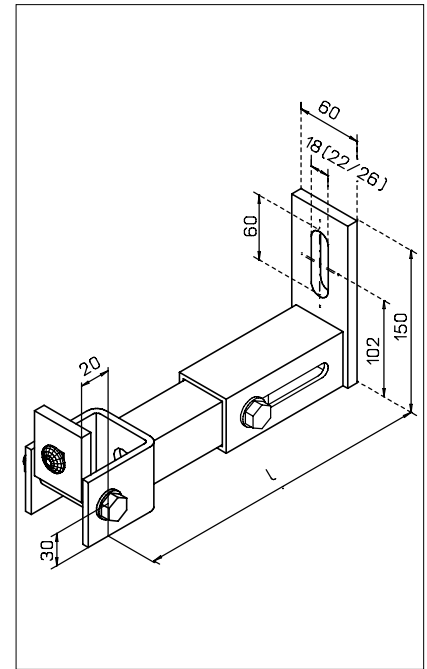
L = 295 - 370 mm

Part No. BB-VSTAD 295-370

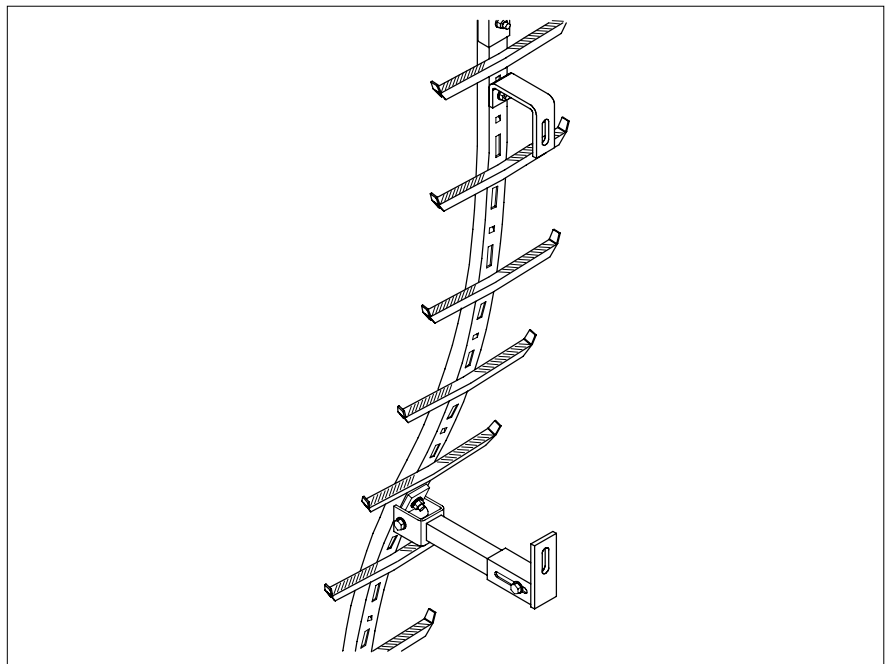
L = 370 - 445 mm

Part No. BB-VSTAD 370-445

Greater projections upon request.



Examples for the application



Note:

The projection „L“ is subject to the type of the bracket.

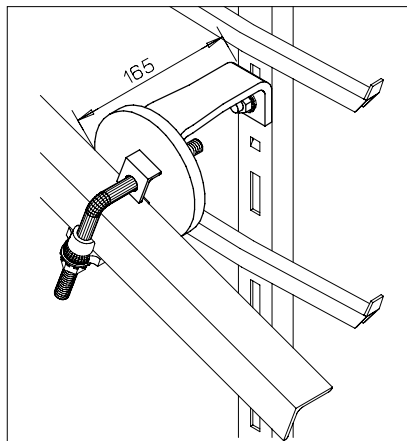
Technical specifications are subject to change without notice.

Safety Ladders: Hot Dip Galvanized/Stainless Steel Mounting brackets

Mounting bracket

for outside diagonal struts of lattice towers. Please supply strut measurements.

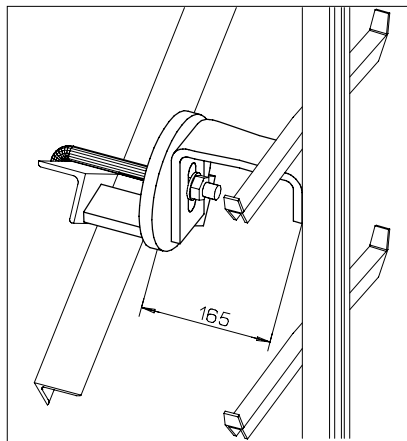
Galvanized steel
Part No. BB-DA



Mounting bracket

for diagonal crossings of lattice towers. Please supply strut measurements.

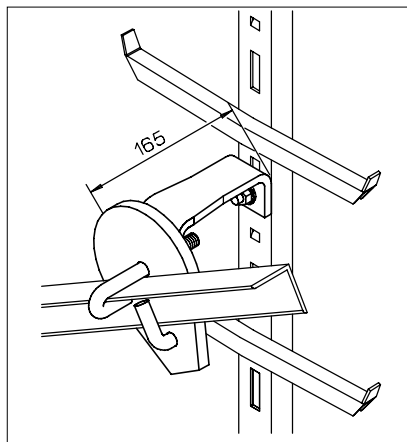
Galvanized steel
Part No. BB-DK



Mounting bracket

for inside diagonal struts of lattice towers. Please supply strut measurements.

Galvanized steel
Part No. BB-DI



Note:

The projection „L“ is subject to the type of the bracket.

Technical specifications are subject to change without notice.

Safety Ladders: Hot Dip Galvanized/Stainless Steel Mounting brackets

Mounting bracket

For installation on **brickwork**. (see chapter TB). Projection possible until 1000mm. Comes with installation elements for fixing ladder to bracket. When ordering, please state projection „L“.

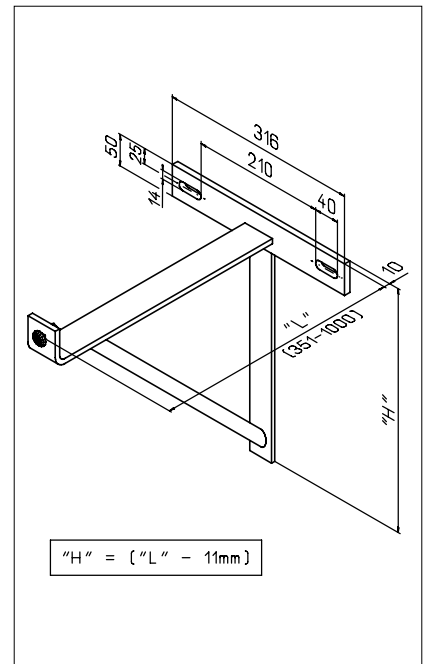
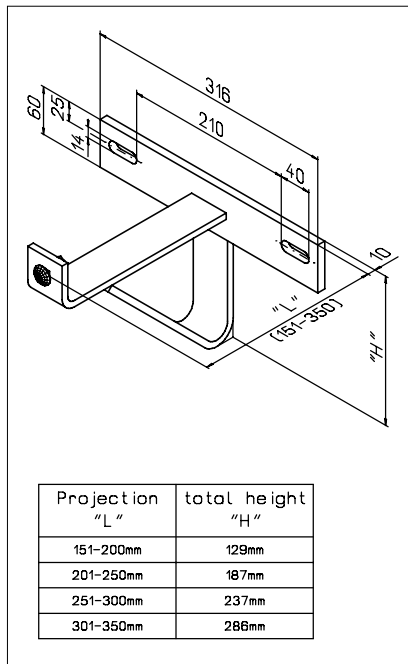
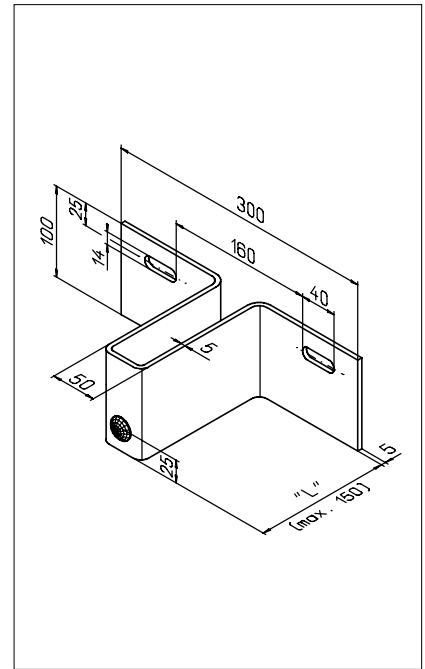
Weight: depending on the projection.

Galvanized steel

Part No. **BB-MSTR**-<projection in mm>

Stainless steel, pickled

Part No. **BB-MA4R**-<projection in mm>



Note:

The projection „L“ is subject to the type of the bracket.

Technical specifications are subject to change without notice.

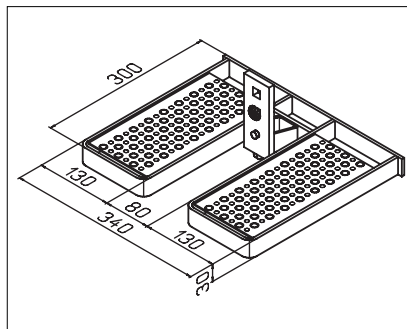
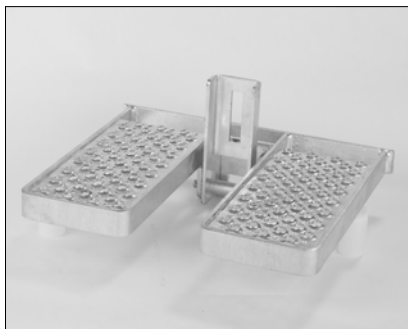
Safety Ladders: Hot Dip Galvanized/Stainless Steel Footrests

Folding Footrest

Unfolds to allow unrestricted climber access.
Complete with fixings.

Galvanized steel
Weight: 4,6 kg/each
Part No. 23723

Stainless steel, pickled
Upon request



Pivotable Footrest

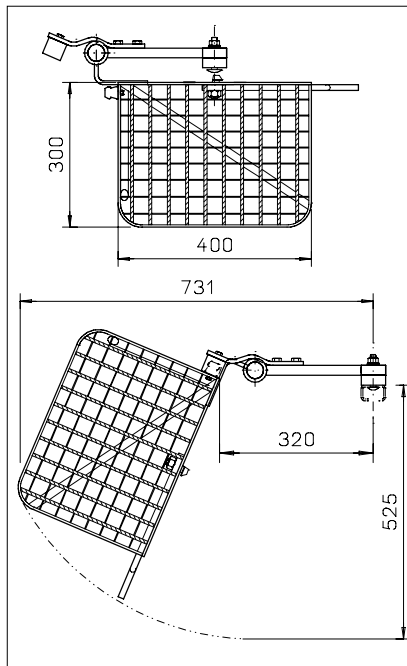
for steel/stainless steel ladders. Comes with all installation elements.

Weight: 18 kg/each

Hinge on left side
Galvanized steel
Part No. 16551

Hinge on right side
Galvanized steel
Part No. 16550

Stainless steel, pickled upon request.



Safety Ladders: Hot Dip Galvanized/Stainless Steel Footrests

Footrest with Two Working Platforms

To provide working access adjacent to the ladder, e. g. for working on offset antennas ect. Footrest and platform unfold to allow unrestricted climber access. For use by one person only. For rung distance: 280 mm. Complete with fixings. Please specify mast diameter.

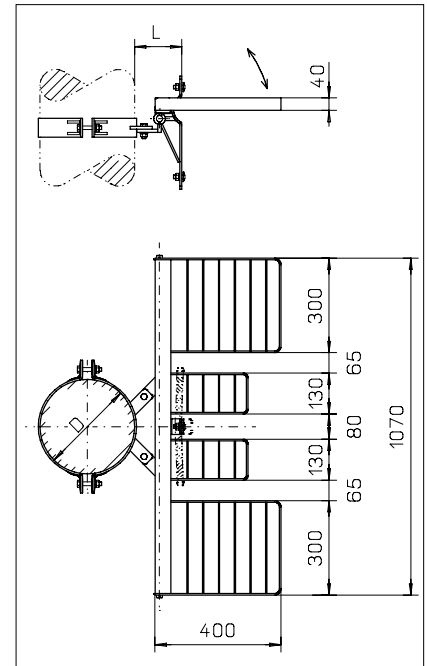
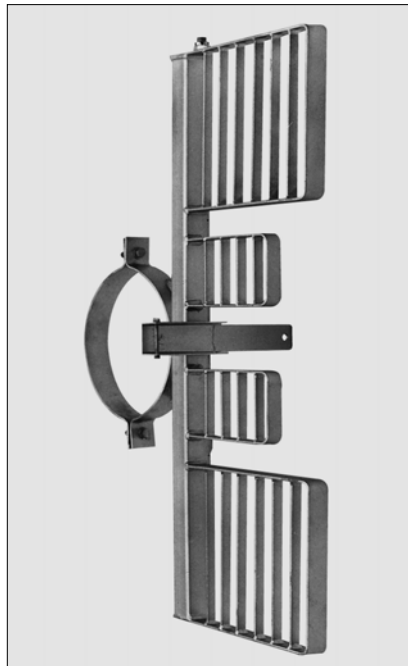
Weight: Depends on mast diameter.
Width 150 mm

Galvanized steel
Part No. 15395

Stainless steel upon request.

mast diameter D=	projection L=

Wall and corner mounting bracket on request.



Technical specifications are subject to change without notice.

Safety Ladders: Hot Dip Galvanized/Stainless Steel Footrests

Footrest with One Working Platform

(on left side)

To provide working access adjacent to the ladder, e. g. for working on offset antennas ect. Footrest and platform unfold to allow unrestricted climber access. For use by one person only. For rung distance: 280 mm. Complete with fixings. Please specify mast diameter.

Weight: Depends on mast diameter.
Width 150 mm

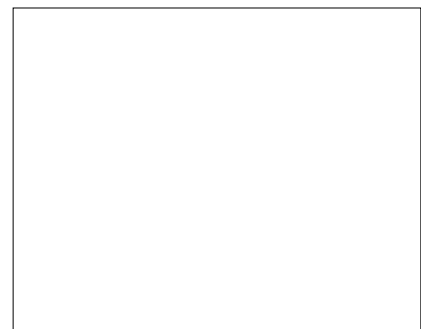
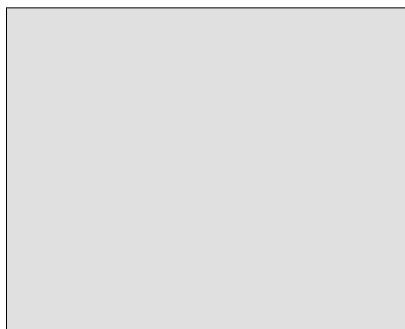
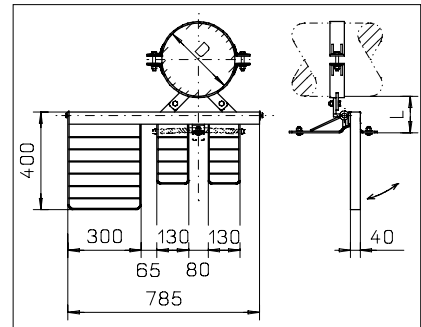
Galvanized steel

Part No. 15401

Stainless steel upon request

mast diameter D=	projection L=

Wall and corner mounting bracket on request.



Footrest with One Working Platform

(on right side)

To provide working access adjacent to the ladder, e. g. for working on offset antennas ect. Footrest and platform unfold to allow unrestricted climber access. For use by one person only. For rung distance: 280 mm. Complete with fixings. Please specify mast diameter.

Weight: Depends on mast diameter.
Width 150 mm

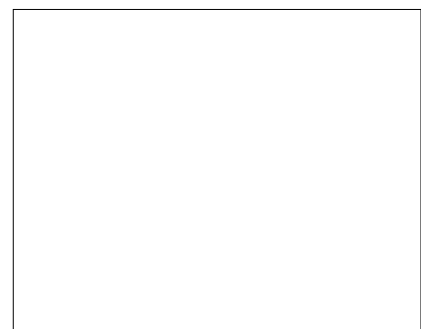
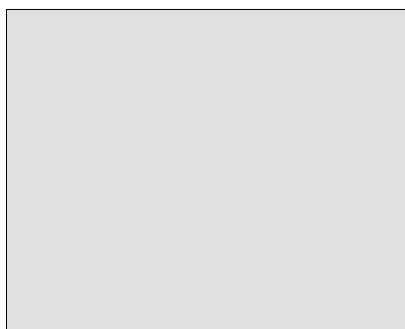
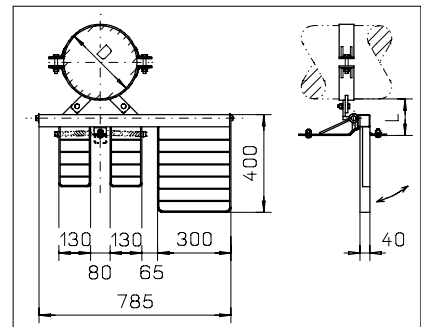
Galvanized steel

Part No. 15405

Stainless steel upon request

mast diameter D=	projection L=

Wall and corner mounting bracket on request.



Safety Ladders: Hot Dip Galvanized/Stainless Steel Cover Plate

Cover Plate, steel

For Y-Spar steel ladder. Comes without ladder section. Prevents unauthorized people from climbing the ladder. Comes with padlock. Length: 2000 mm.

Weight: 16,0 kg/each

**Cover Plate with handles for Y-Spar ladder
Galvanized steel
Part No. 11354**

**Cover Plate with handles for Twin-ladder
Galvanized steel
Part No. 17436**

Cover Plate, aluminium
for galvanized steel ladders. See page A 22.

The foldable ladder PivotLoc is also possible as an alternative to the cover plate, pls. See A23.



Technical specifications are subject to change without notice.

Safety Ladders: Hot Dip Galvanized/Stainless Steel Cover Plate

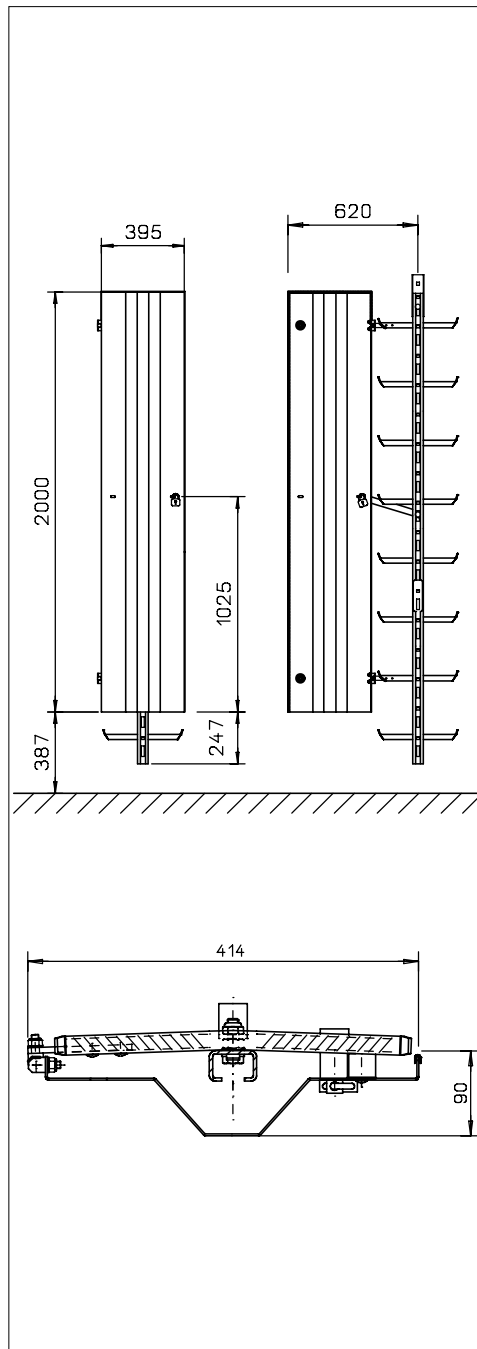
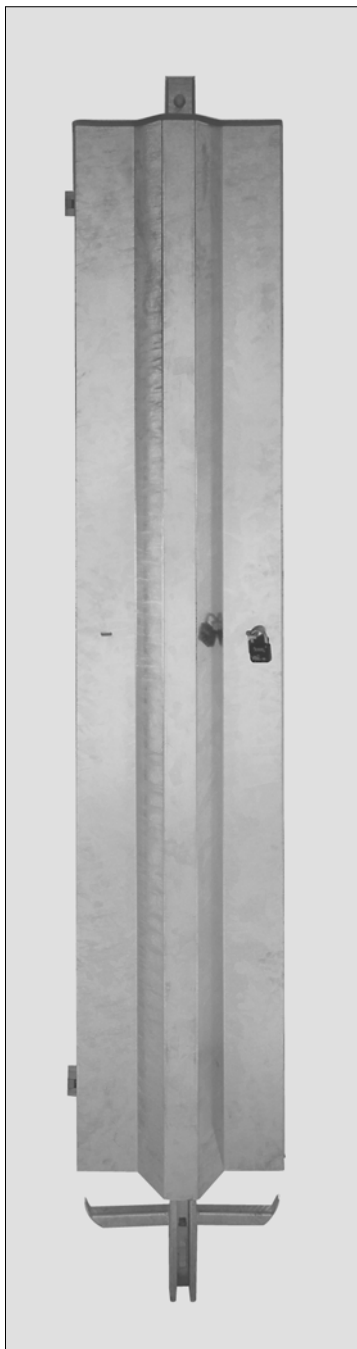
Cover plate

for Söll-steel ladders. Comes with ladder section. Prevents from unauthorized climbing of the ladder. Hinged on left side and secured by padlock.

Weight: 30,0 kg/each

**With recess - Galvanized steel
Part No. 22054**

The foldable ladder PivotLoc is also possible as an alternative to the cover plate, pls. See A23.



Technical specifications are subject to change without notice.



Safety Ladders: Hot Dip Galvanized/Stainless Steel Recess

Recess

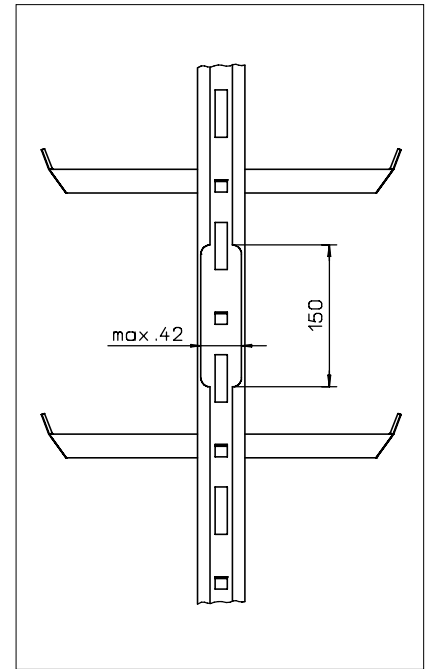
To insert and take out the fall arrester. As the fall protection does not have any protection function within the recess, there must be an end stop „below“ above the 2. notch above the recess. The end stop must be ordered separately.

The recess may only be provided at the beginning of the climbway.

At the beginning of climbway involving the risk of falling for the user, it is not allowed to utilize the recess.

In case the fall arrester will be taken out from the climbway during its course, than an exit section has to be used.

At the time of ordering the part of the ladder with recesses must be marked with an "A" or the notice "with recess".



Safety Ladders: Hot Dip Galvanized/Stainless Steel Exit Section

Exit Section

Used for secure removing/inserting the fall arrester from/into the guide-rail, e.g. on platforms. See page B 19. Comes with fixings and setting out/drilling jig to enable accurate installation. May be also refitted into already existing Söll steel ladders.

Galvanized steel

Weight: 3,4 kg/each

Part No. 11317

Stainless steel, pickled

Weight: 3,4 kg/each

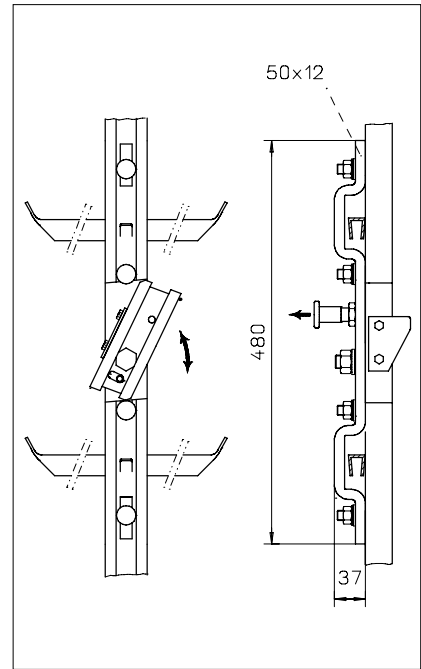
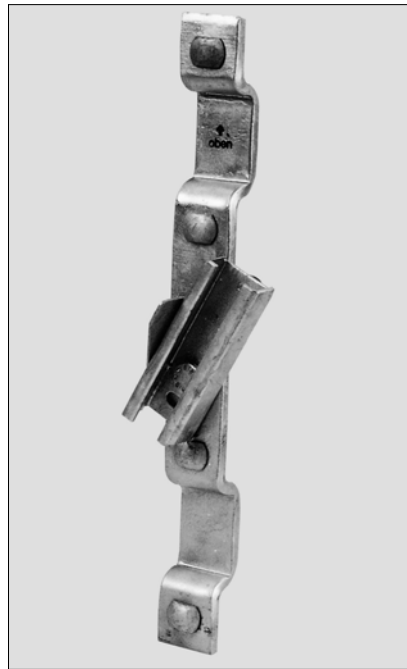
Part No. 16978

Factory assembly of the exit section

At the time of ordering, the part of the ladder with the factory assembled exit section must be marked with "AV" or the notice "with assembled exit section". In the case of assembly at the factory please also specify the installation height.

Please note:

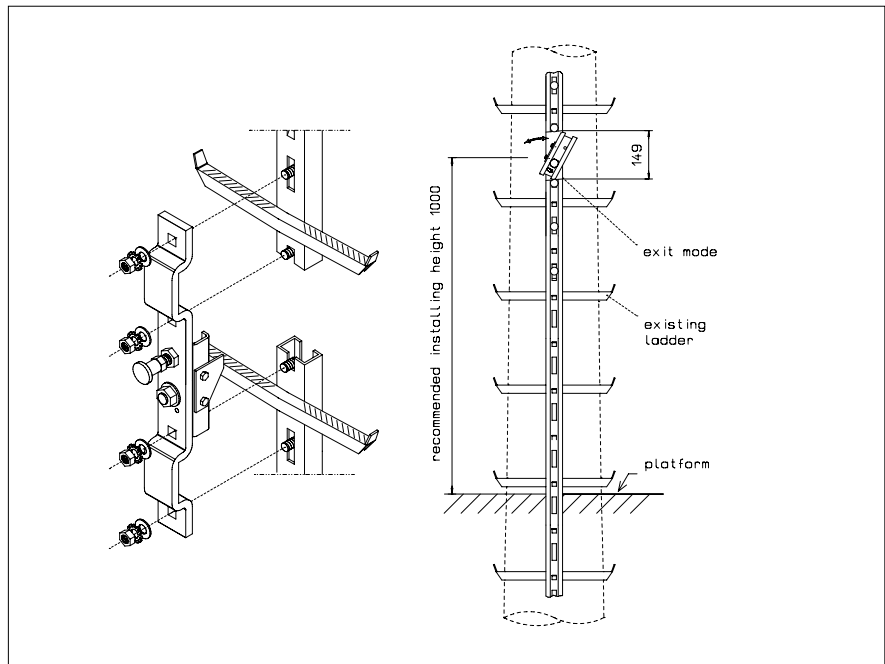
Installation is only possible between two rungs.



Possibility heights for installation in a ladder section of 4480 mm

Height from bottom ladder section	
560 mm	between 2. and 3. rung
840 mm	between 3. and 4. rung
1.120 mm	between 4. and 5. rung
1.400 mm	between 5. and 6. rung
1.680 mm	between 6. and 7. rung
1.960 mm	between 7. and 8. rung
2.240 mm	between 8. and 9. rung
2.520 mm	between 9. and 10. rung
2.800 mm	between 10. and 11. rung
3.080 mm	between 11. and 12. rung
3.360 mm	between 12. and 13. rung
3.640 mm	between 13. and 14. rung
3.920 mm	between 14. and 15. rung

Recommended installing height above platform: approx. 1.000 mm.



Technical specifications are subject to change without notice.

Safety Ladders: Hot Dip Galvanized/Stainless Steel Accessories

Turntable

For safe transfer from vertical to horizontal.
Made of stainless steel plate and aluminium rail section. Please specify the profile of the horizontal and vertical guide-rail.

Stainless Steel

Weight: 2,6 kg/each

Bending radius horizontal guide rail
> 1000 mm

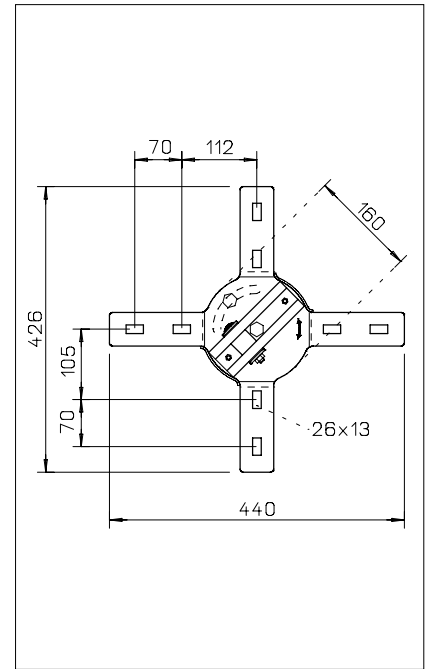
Part No. 11607

Bending radius horizontal guide rail
< 1000 mm

Part No. 20349

Cost for mounting turntable onto a Y-Spar
galvanized steel

Part No. 16884



Ho-Ver turn table

For safe change of travel direction from vertical to horizontal to vertical travel. The direction of travel can only be changed to the left or to the right. Available also with release option in the pivoting part. Consult Söll technical support department for other installation combinations.

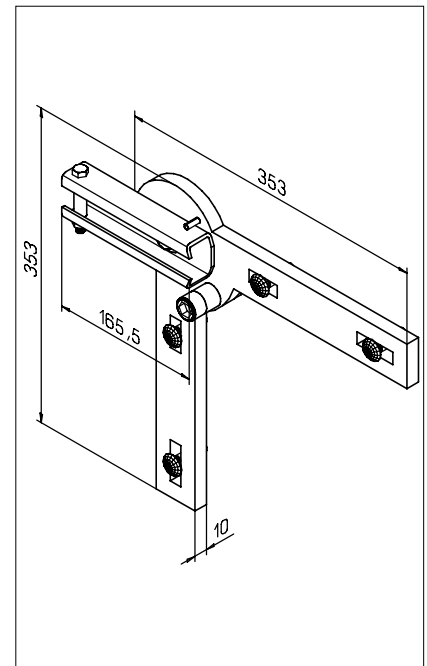
Weight: 5,0kg per 1 unit

Stainless steel pickled

Part No. 22322

Release option (without illustration).

Part No. 22495



Technical specifications are subject to change without notice.

Safety Ladders: Hot Dip Galvanized/Stainless Steel Accessories

Mounting bracket with adjustable projection

Projection: 120 mm up to 160 mm. Comes with all installation elements. To be used for mounting turntable Part No. 11607 only.

Galvanized steel

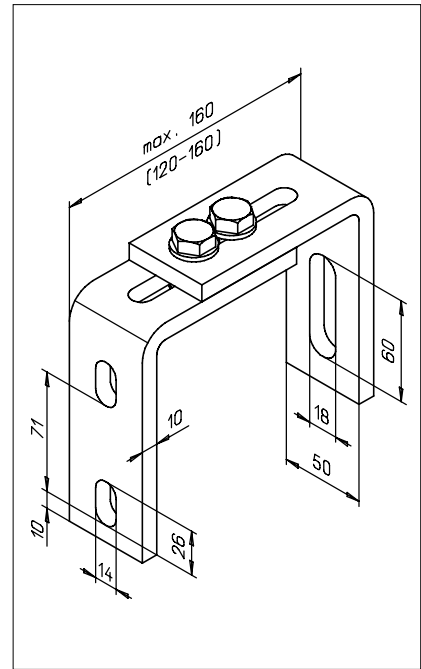
Weight: 1,6 kg/each

Part No. 10867

Stainless steel, pickled

Weight: 1,6 kg/each

Part No. 11591



Mounting bracket with adjustable projection

Projection: 160 mm up to 200 mm. Comes with all installation elements. To be used for mounting turntable Part No. 11607 only.

Galvanized steel

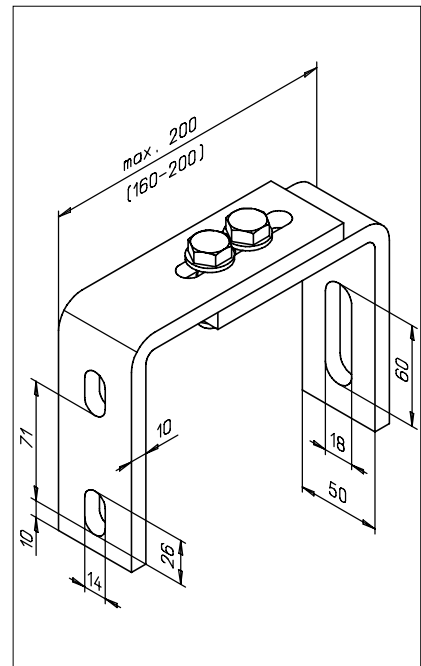
Weight: 1,8 kg/each

Part No. 10869

Stainless steel, pickled

Weight: 1,8 kg/each

Part No. 15250



Note:

The projection „L“ is subject to the type of the bracket.

Technical specifications are subject to change without notice.

Safety Ladders: Hot Dip Galvanized/Stainless Steel Accessories

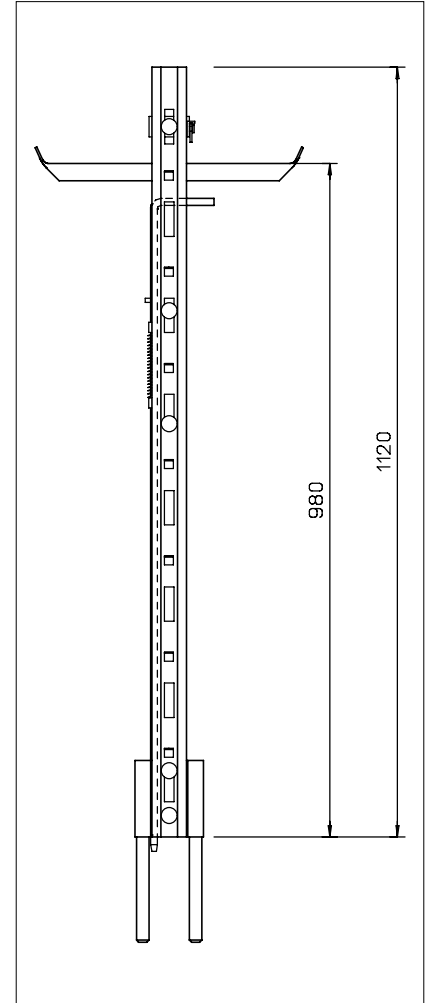
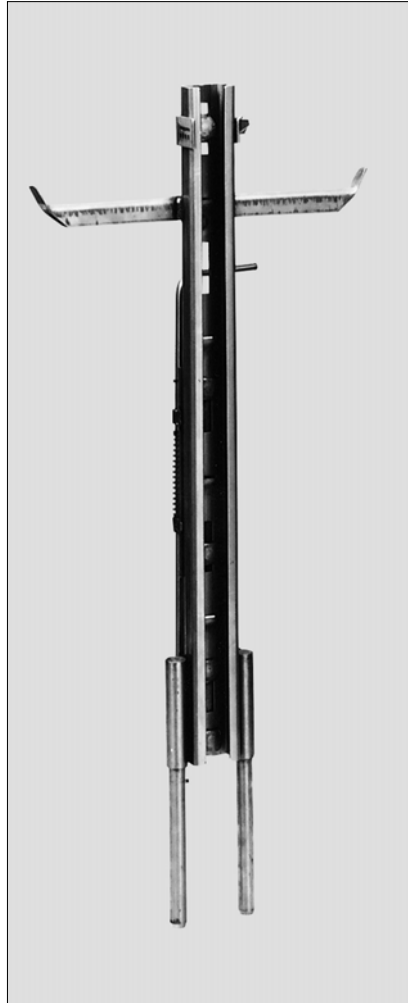
Shaft entering device

For safe entry into manholes. The device is inserted into the female coupling on the top of the guide-rail in the manhole. This device can be moved from one manhole ladder to another.

Stainless steel, pickled

Weight: 8,0 kg/each

Part No. 17065



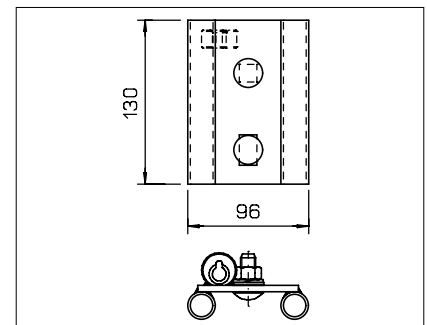
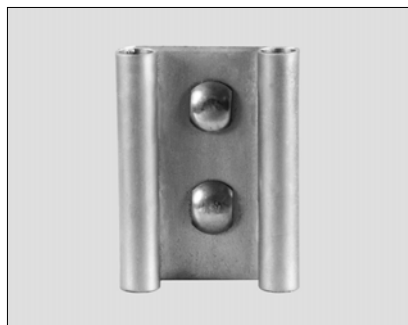
Female Coupling for Shaft Entering Device

This device is fixed to the top of the guide-rail in the manhole.

Stainless steel, pickled

Weight: 0,8 kg/each

Part No. 16191



Technical specifications are subject to change without notice.

Safety Ladders: Hot Dip Galvanized/Stainless Steel Rotary Exit Section

Rotary Exit Section

Used for leaving the top end of the ladder system by inserting the fall arrester into the rotary and turning either side safely onto the platform behind the ladder. Please specify total ladder length up to the rotary disk. See page B 24. Made of anodized aluminium alloy.

With footrest (independently pivotable platforms)

Weight: 16,9 kg/each

Part No. 17053

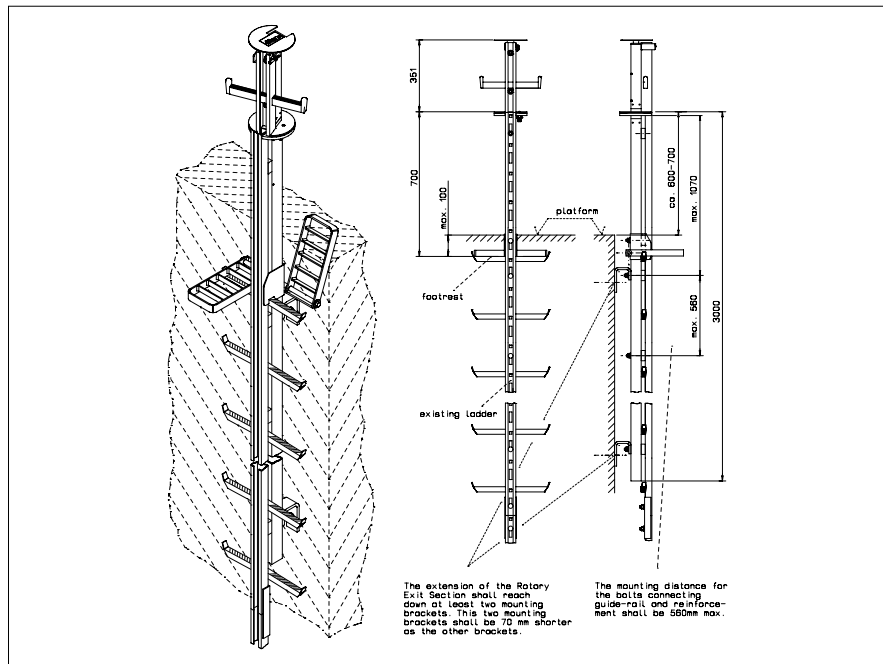
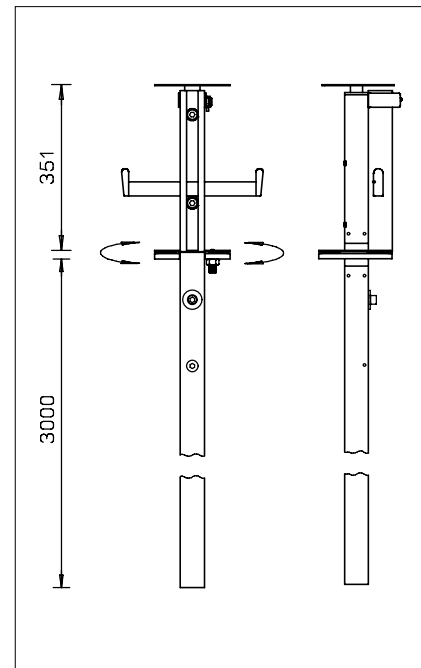
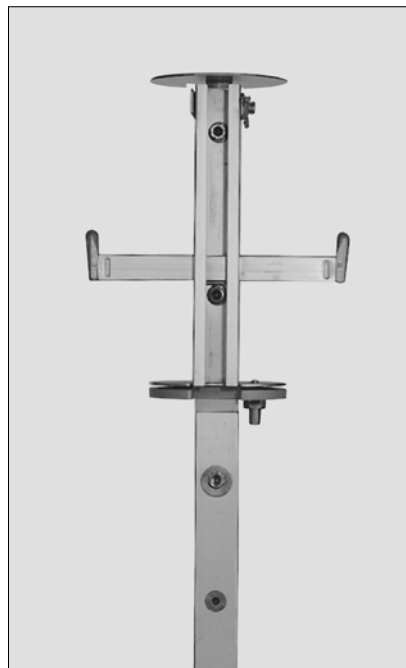
Without footrest

Weight: 12,5 kg/each

Part No. 16666

Cost for mounting rotary exit section onto a vertical Söll Aluminium ladder by Söll.

Part No. 16604



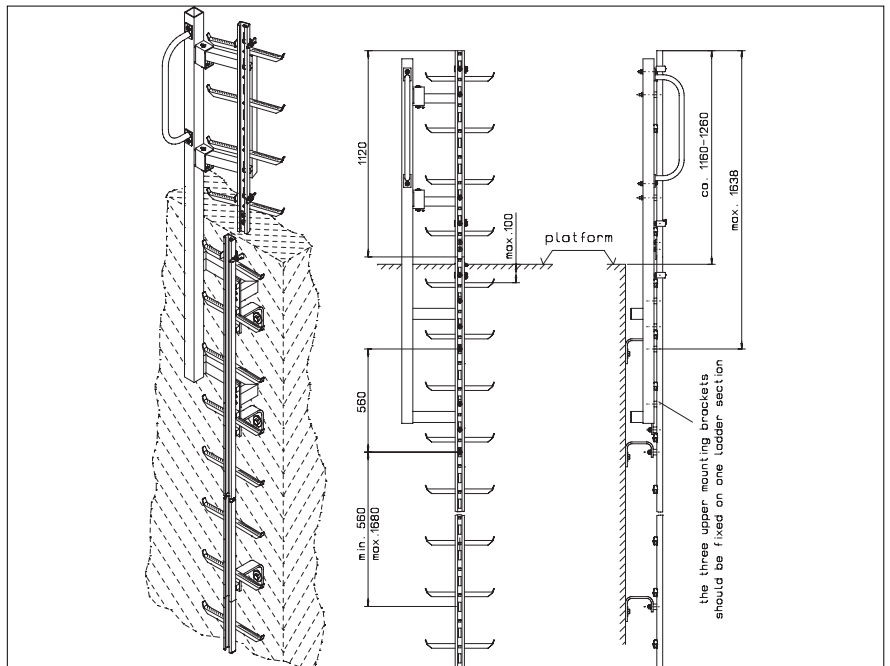
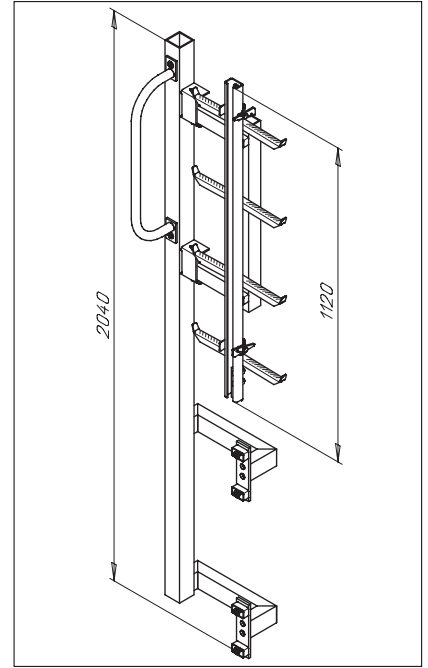
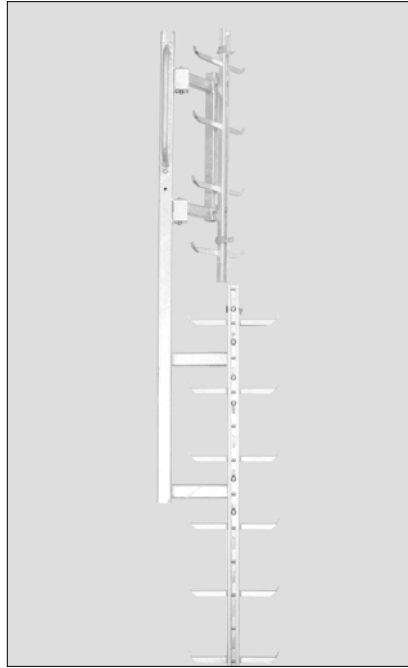
Safety Ladders: Hot Dip Galvanized/Stainless Steel

Pivoting roof exit

Pivoting roof exit

To be used in confined spaces. For a safe transfer to a surface behind the climbing way. Anchoring on the left side. Complete with all fixing elements. To be fixed on the central spar of the hot dip galvanized/stainless steel ladder. (Pls. See page B 27b).

Weight: 37,0 kg/each
Part No. 23312



Technical specifications are subject to change without notice.

Safety Ladders: Hot Dip Galvanized/Stainless Steel Twisted change over rail

Twisted Change over rail

Guide rail with 90° bend allows transfer from vertical to horizontal direction. **To be used only with fall arrester Compact/Comfort or Söll-Fall arresters, which have been included into the delivery programme after March 2003.** Length of guide rail: 2240 mm. The guide rail is also turned 90° in the area of the bend so that in the horizontal area the lead is towards the side. A mounting is required for this area (not part of scope of supply). Supplied complete with joining piece, fixing cross and top end stop.

Clockwise turn

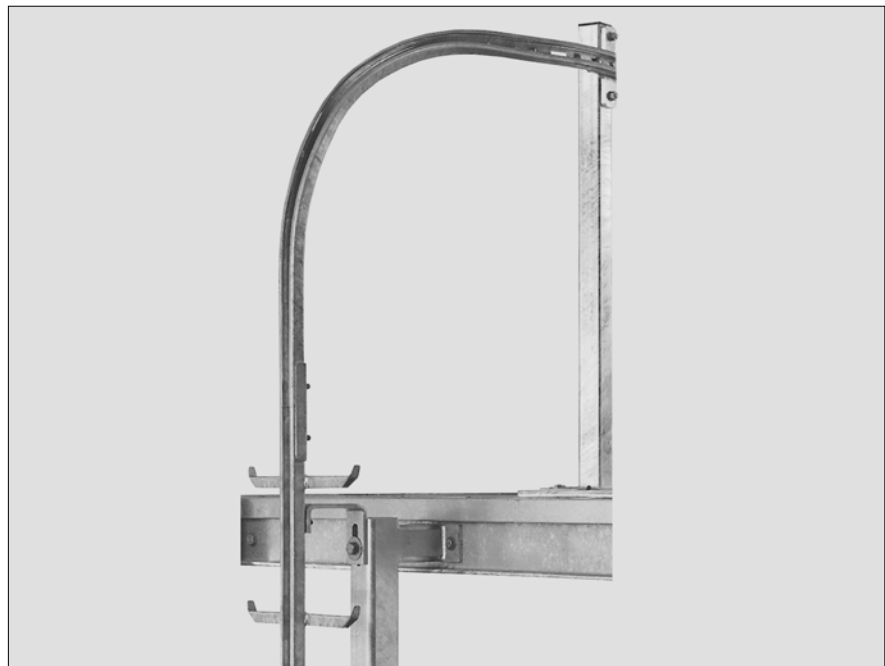
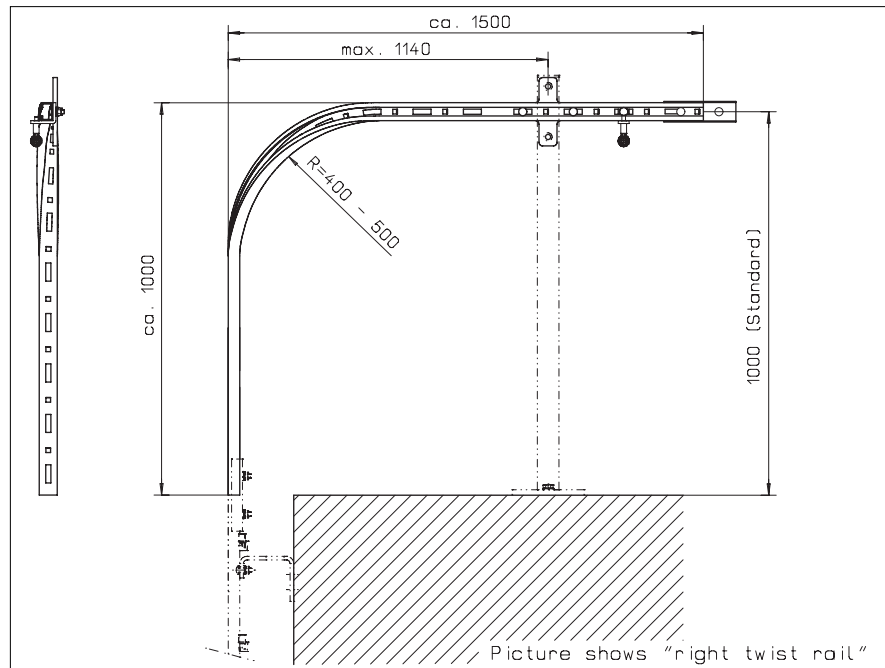
Hot Dip Galvanized Steel
Part No. 16315

Stainless steel, pickled
Part No. 22311

Anti-clockwise turn
Must be not used in connection with a turntable!

Hot Dip Galvanized Steel
Part No. 16292

Stainless steel, pickled
Part No. 22310



Technical specifications are subject to change without notice.

Safety Ladders: Hot Dip Galvanized/Stainless Steel Twisted change over rail

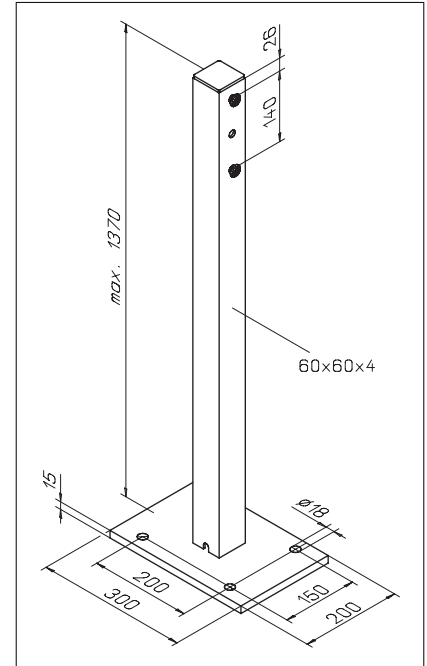
Support strut

For supporting a twisted change over rail.
Complete with rail attachment screws. Maximum height 1370 mm.

Hot Dip Galvanized Steel
Part No. 17509

Explanation:

When used combined with the change over rail (Part No. 16315/16292), the 1.096 mm support has to be ordered.



Reinforcement/Strengthening

Is required, when the distance between last mounting point and top-end of the ladder/rail exceeds 380 mm. It must be bolted onto the guide-rail at a distance of 560 mm and must extend down over at least two mounting brackets. Square tube 50x30x3 mm. See page B 4. Comes with all installation elements.

Galvanized steel

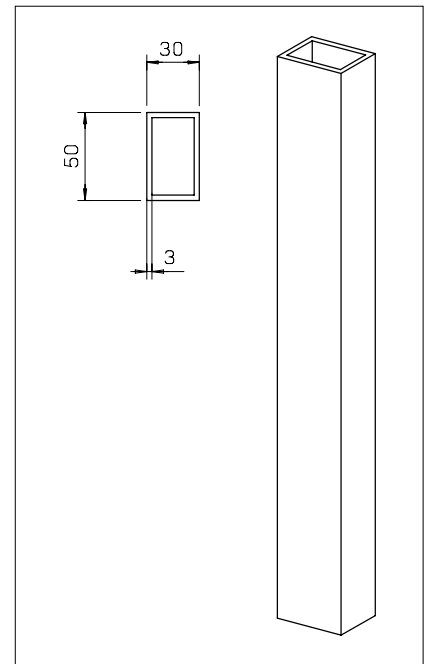
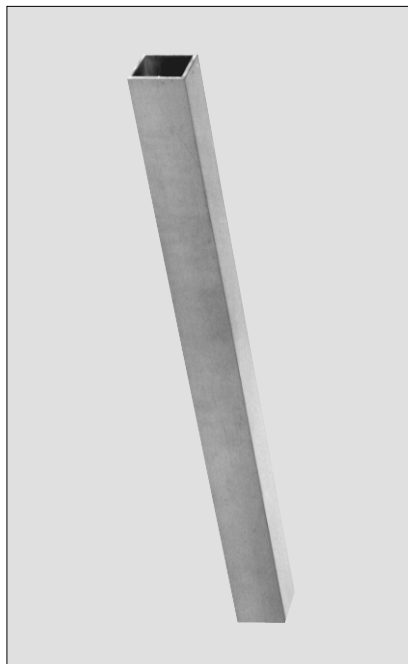
Weight: 3,3 per metre

Part No. HV-ST-<length in mm>

Stainless steel, pickled

Weight: 3,3 per metre

Part No. HV-A4-<length in mm>



Safety Ladders: Hot Dip Galvanized/Stainlees Steel Accessories

Roundabout

For a safe transfer between two different vertical climbing routes without disconnecting the fall arrester from the guide-rail or the climber. Minimum mast diameter: 200 mm, Maximum mast diameter: 1000 mm. Comprising two horizontal rods which enables the transfer of the guide-rail section together with the fall arrester to the other ladder. Made of galvanized steel with aluminium guide-rail section. Comes with all fixing elements. For added safety and ease of movement, we recommend fitting a hand-rail section (Part No. HL) and an open steel flooring transfer platform (Part No. UP). Please specify mast diameter, offset angle, projection and ladder type.

Weight: depending on dimensions, approx. 25 kg.

For mast diameter from 200 to 350 mm
Part No. 16352

For mast diameter from 351 to 500 mm
Part No. 18700

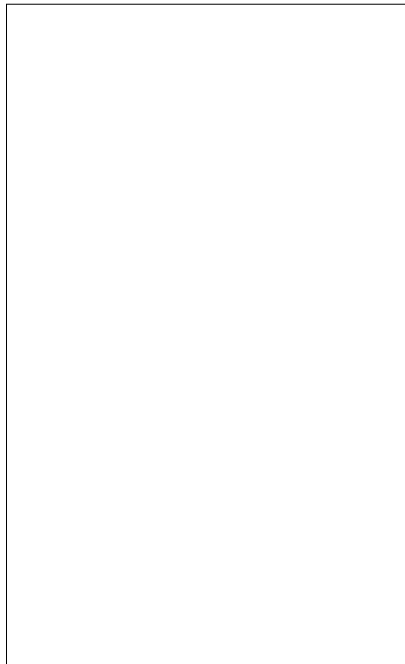
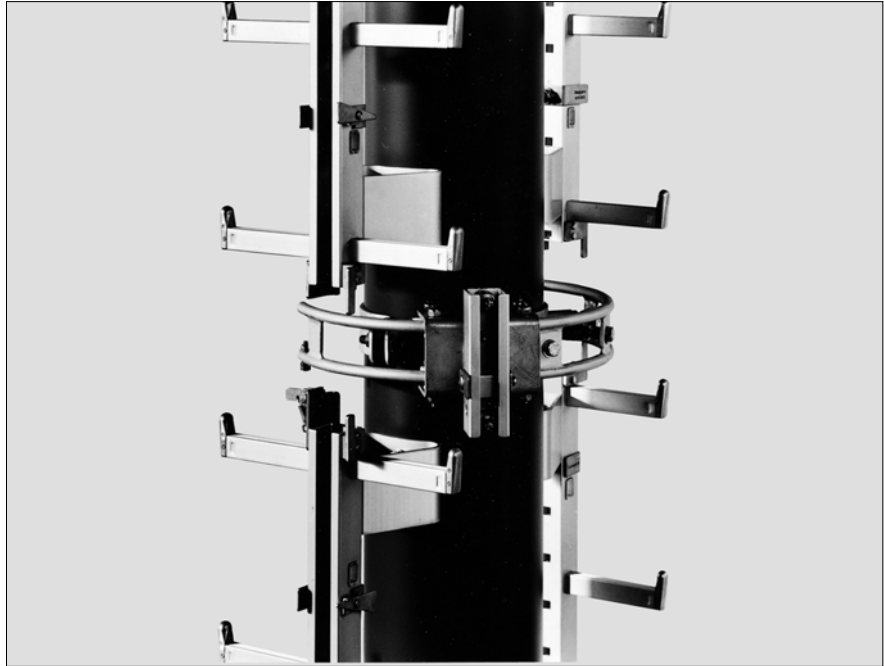
For mast diameter from 501 to 700 mm
Part No. 18701

For mast diameter from 701 to 1000 mm
Part No. 18702

Installation example

Roundabout with hand rail and transfer platform.

Roundabouts for climbing ways with special projections are available upon request.



Safety Ladders: Hot Dip Glvanized/Stainlees Steel Accessories

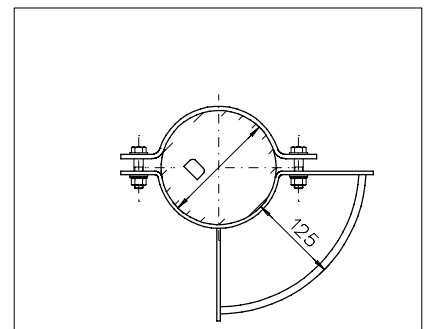
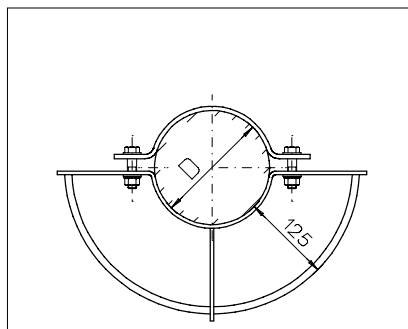
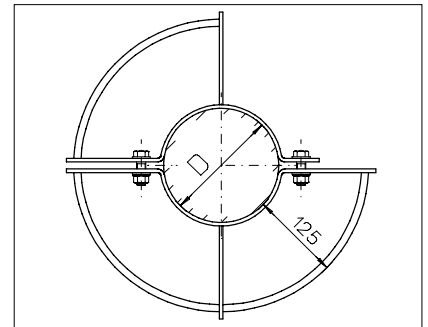
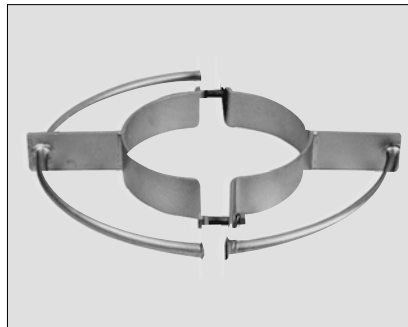
Handrail

Ideal for use with **roundabout**. Can also be used on its own. Minimum mast diameter: 90 mm. Made of galvanized steel. Complete with mounting elements. Please specify mast diameter and offset angle.

Weight: depending on dimensions

Part No. HL-<segment size>-<Ø in mm>

It is not considered as an anchorage point according EN standard 795.

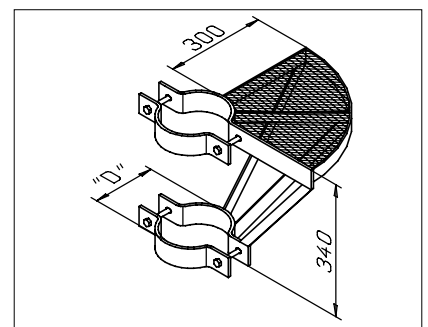
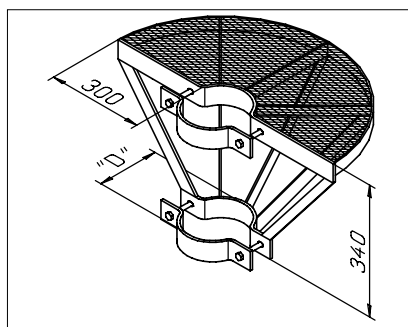
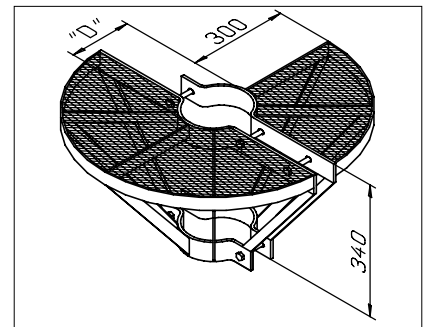
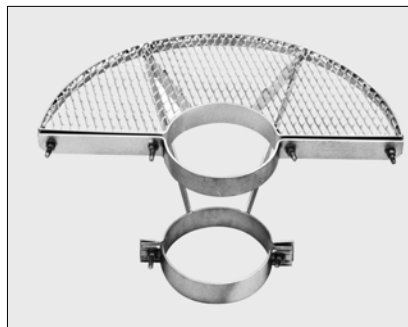


Transfer Platform

Ideal for use with roundabout. Can also be used on its own. Minimum mast diameter: 100 mm. Made of galvanized steel. Complete with mounting elements. Please specify mast diameter and offset angle.

Weight: depending on dimensions

Part No. UP-<segment size>-<Ø in mm>



Technical specifications are subject to change without notice.

Safety Ladders: Hot Dip Galvanized/Stainless Steel Accessories

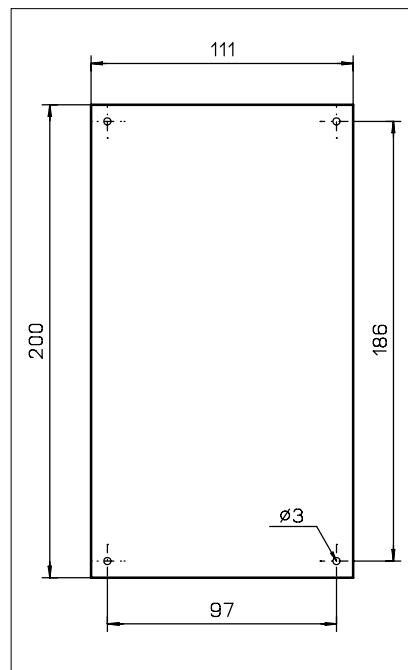
Identification plate

for Fall Protection Systems - Climbing Ladders.
Cover plate assembled in factory.

Part No. 19876 not graved

engraved

Part No.	Denomination
20885	Y-Spar Galvanized Steel
20886	Y-Spar Stainless Steel
20889	Y-Spar Galvanized Steel with anti-slipping rungs
20890	Y-Spar Stainless Steel with anti-slipping rungs



Technical specifications are subject to change without notice.