

Anchorage Devices Rails - Horizontal/Overhead

Rail-Horizontal

Stop device for horizontal use. With connecting piece, without lock and without rectangular perforation. Max. attachment distance 1.000 mm. Max. manufactured length: 4.000 mm. Authorised for simultaneous use by 3 persons. When mounting adhere to the anchoring forces as specified in DIN EN 795.

Anodized aluminium

Rail profile: 52 x 33 mm
Weight: 1,3 kg/per metre
Part No. FS-WAL-<length in mm>

Galvanized steel

Rail profile: 50 x 32 mm
Weight: 3,7 kg/per metre
Part No. FS-WST-<length in mm>

Stainless steel, pickled

Rail profile: 50 x 32 mm
Weight: 3,7 kg/per metre
Part No. FS-WA4-<length in mm>

Surcharge for factory assembly rectangular perforation - distance 1000 mm.
Part No. 15820

Extra cost for bending rail section made of aluminium, galvanized steel / stainless steel. Please specify type of bend. See page D 5.

Anodized aluminium

Part No. 16586

Galvanized steel

Part No. 16588

Stainless steel, pickled

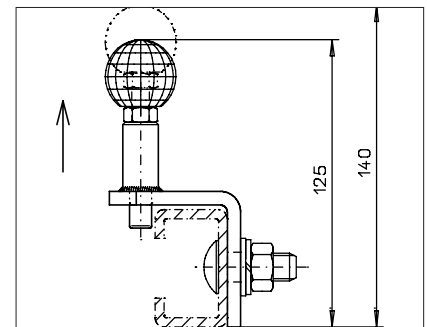
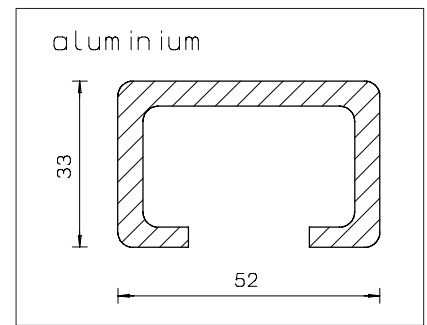
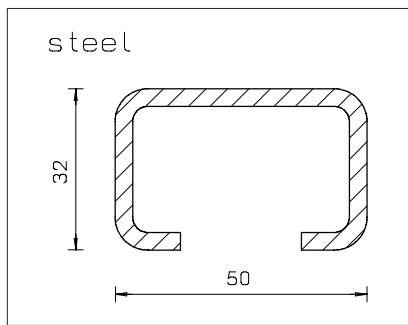
Part No. 16587

End-Stop

End-Stop with exit for use in connection with horizontal rails. Prevents the Trolley/Glideloc fall arrester from accidentally slipping out of the rail.

Stainless steel, pickled

Weight: 0,3 kg/ each
Part No. 16571

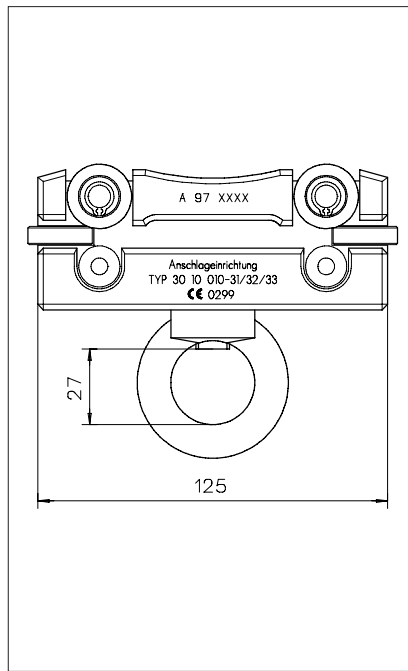


Anchorage Devices Trolleys

Trolley

Only for horizontal rail. Not for vertical use! Anodized aluminium body with stainless steel eye-bolt.

Weight: 0,6 kg/each
Part No. 15620



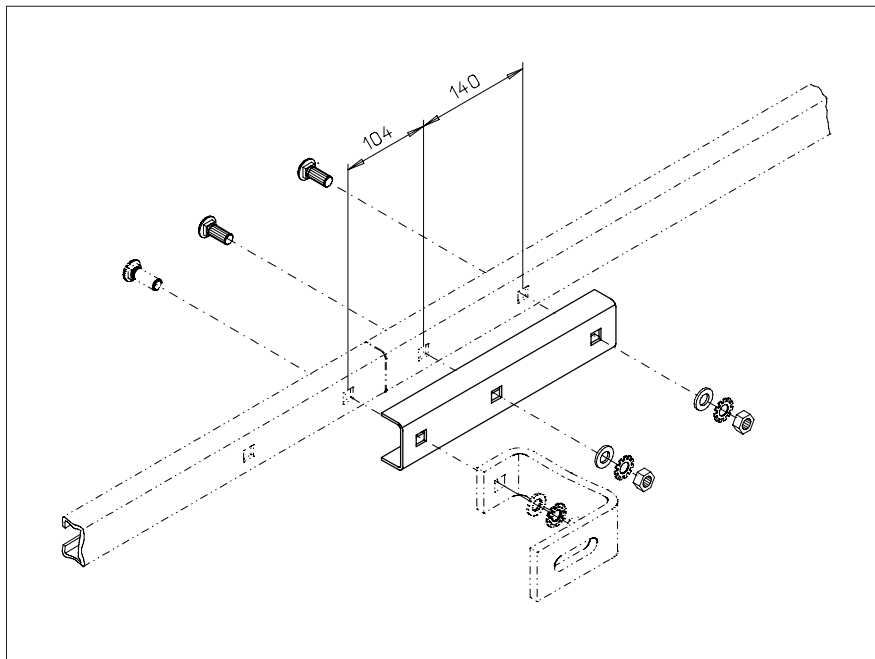
Joint plate for horizontal application

Weight: 0,9 kg/each

Galvanized steel
Part No. 17372

Stainless steel, pickled
Part No. 17988

Aluminium anodized
Part No. 17055



Technical specifications are subject to change without notice.

Anchorage Devices Mounting Brackets

Mounting bracket

Comes with installation elements for fixing rail to bracket. Wall attachment must be drilled to suit site conditions. Minimum bolt diameter for wall fixing: M 16. Support structure must be checked for sufficient strength. Custom made projections upon request.

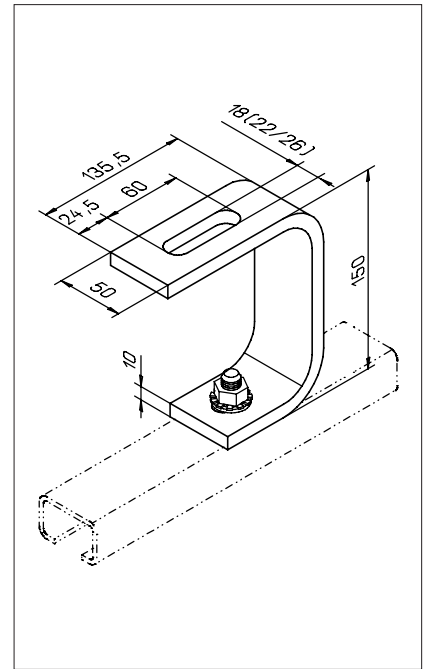
Weight: 1,3 kg/each

Galvanized steel

Part No. 11048

Stainless steel, pickled

Part No. 14759



Bracket

For fastening rails onto a structure. Comes with installation elements for fixing rail to bracket. Support structure must be checked for sufficient strength.

Galvanized steel

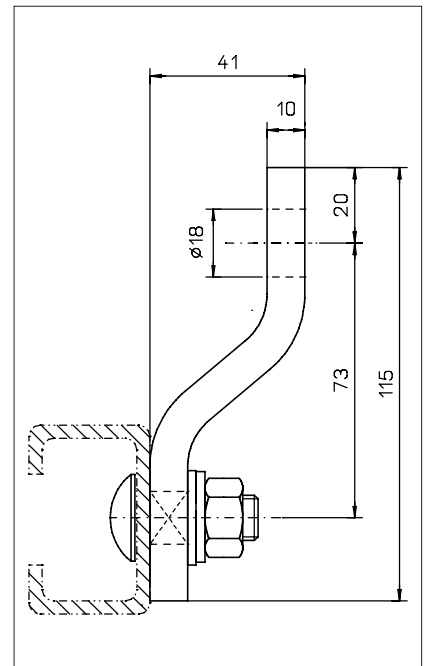
Weight: 0.6 kg each

Part No. 11102

Stainless steel, pickled

Weight: 0.6 kg each

Part No. 16838



Technical specifications are subject to change without notice.

Anchorage Devices Exit Device

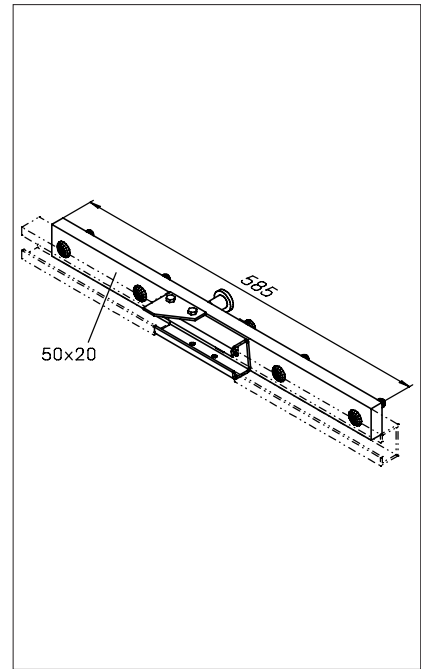
Exit Device

To be fixed within an horizontal guided rail.
For the safe insertion and removal of the fall
arrester. It is **not possible** to use it in
connection with the horizontal trolley, order
Number: 15620. The delivery comprehends
a single-serving fit-up aid.

Weight: 5,5 kg/each

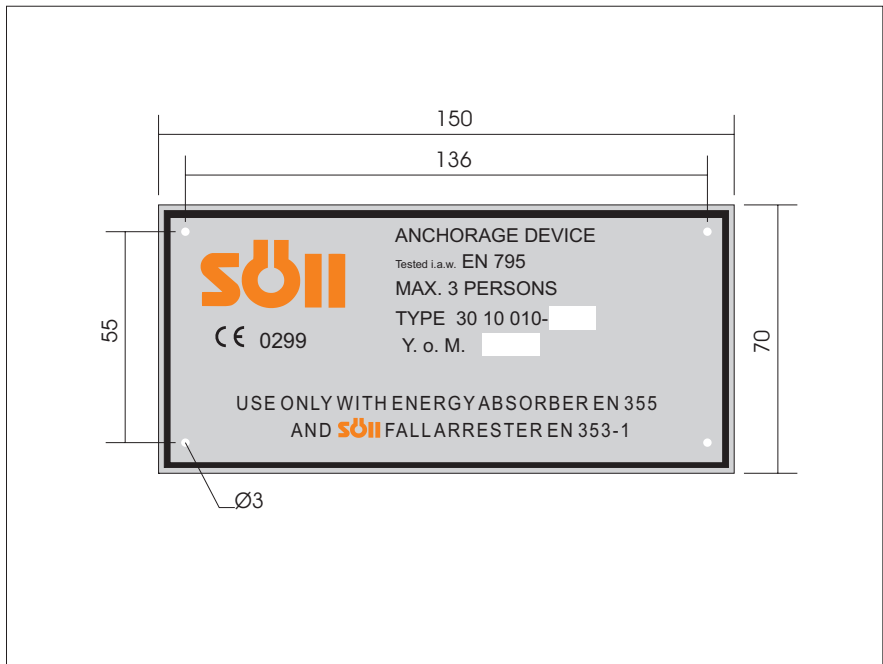
Galvanized steel
Part No. 22168

Stainless steel, pickled
upon request



Identification plate
for anchorage device - chapter D.

Part No. 19875



Smallest radii for Rails-Horizontal/Overhead made of aluminium, galvanized/stainless steel, shown in mm:

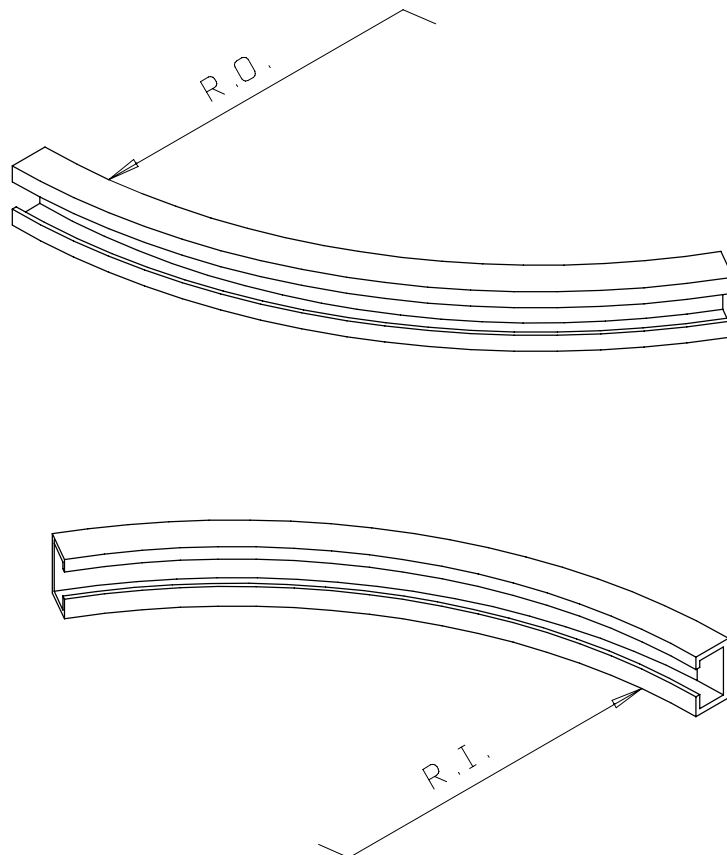
Part No.	Page	Article	Minimum radius in mm	
			R.O.	R.I.
		Rails, not incorporating a turntable		
FS-WAL	D 1	Anodized aluminium	570	620
FS-WST	D 1	Galvanized steel	570	620
FS-WA4	D 1	Stainless steel, pickled	570	620
		Rails, incorporating a turntable	800	850

Important information for planning:

For rails, horizontal/overhead

RO = Outer Radius.

RI = Inner Radius.



Technical specifications are subject to change without notice.