

Safety Ladders: Made of Aluminium

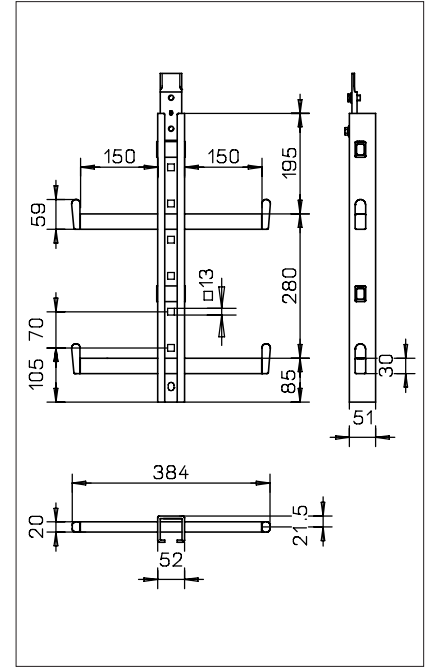
Y-Spar

Anodized aluminium alloy ladder. Guide-rail profile: 52 x 51 mm. Comes with joint plate. Mounting brackets extra to order. Mounting distance: recommended 1400 mm - max. 1680 mm. Installation of bracket to ladder is carried out through the rectangular cut outs in the back of the guide- rail or through its side. See page A 3. Maximum section length: 4480 mm. Rung distance: 280 mm centres.

Step width per side: 150 mm

Weight: 3,2 kg per metre

Part No. YAL<ladder length in mm>



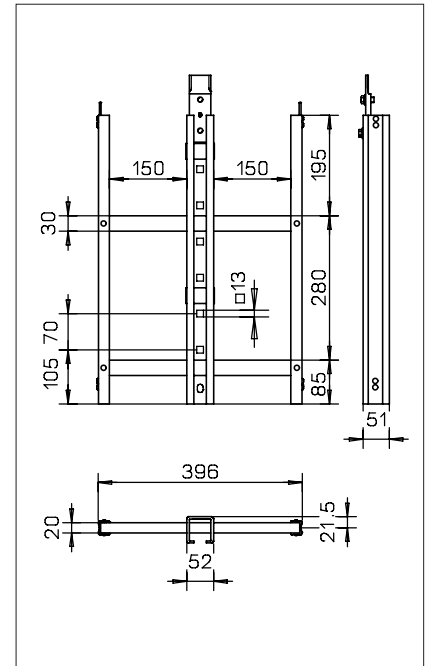
Twin ladder

Anodized aluminium alloy ladder with side-rails. Guide-rail profile: 52 x 51 mm. Comes with joint plate. Mounting brackets extra to order. Mounting distance: recommended 1400 mm - max. 2240 mm. Installation of bracket to ladder is carried out through the rectangular cut outs in the back of the guide-rail or through its side. See page A 3. Maximum section length: 4480 mm. Rung distance: 280 mm centres.

Step width per side: 150 mm

Weight: 3,5 kg per metre

Part No. ZAL<ladder length in mm>



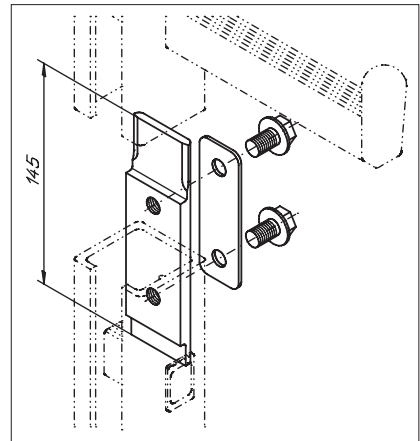
Technical specifications are subject to change without notice.

Safety Ladders: Made of Aluminium

Connectors

Made of anodised aluminium with safety cover plate. To connect aluminium Y-ladders. Complete with all mounting screws. Included in the delivery of each Y-ladder (page A 1). Must be used when an existing ladder is cut and reconnected.

Weight: 0,1 kg/each
Part No. 17440



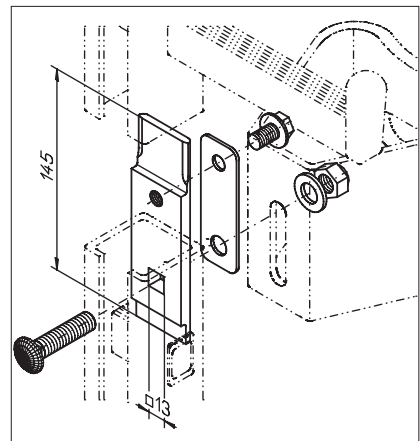
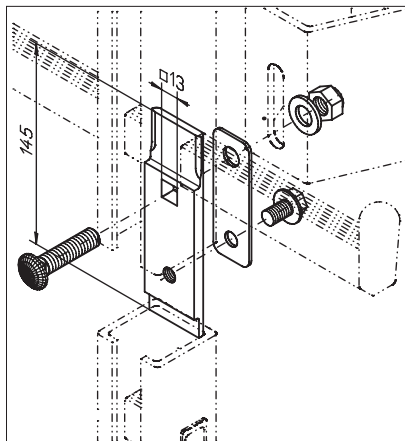
Connectors with square hole

Made of anodised aluminium with safety cover plate. To connect aluminium Y-ladders. Can be used in connection with mounting bracket. Opening in Y-spar ladder to be increased to accommodate M 12. Complete with all mounting screws.

Weight: 0,22 kg/each

Location of upper square mounting hole
Part No. 21458

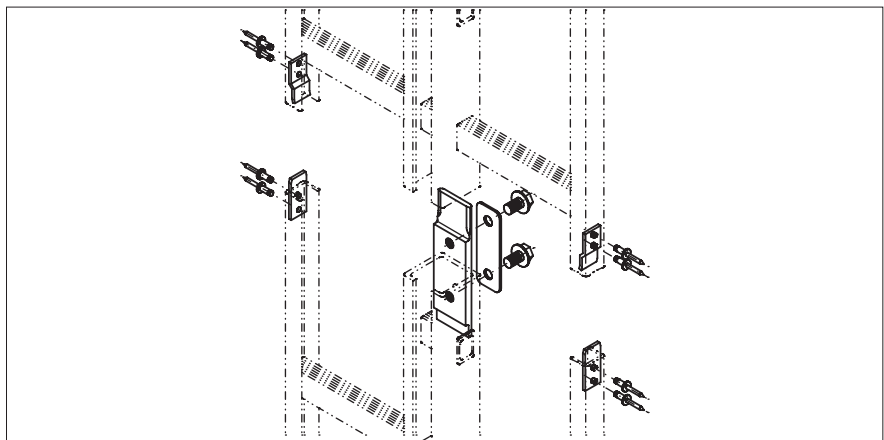
Location of lower square mounting hole
Part No. 22096



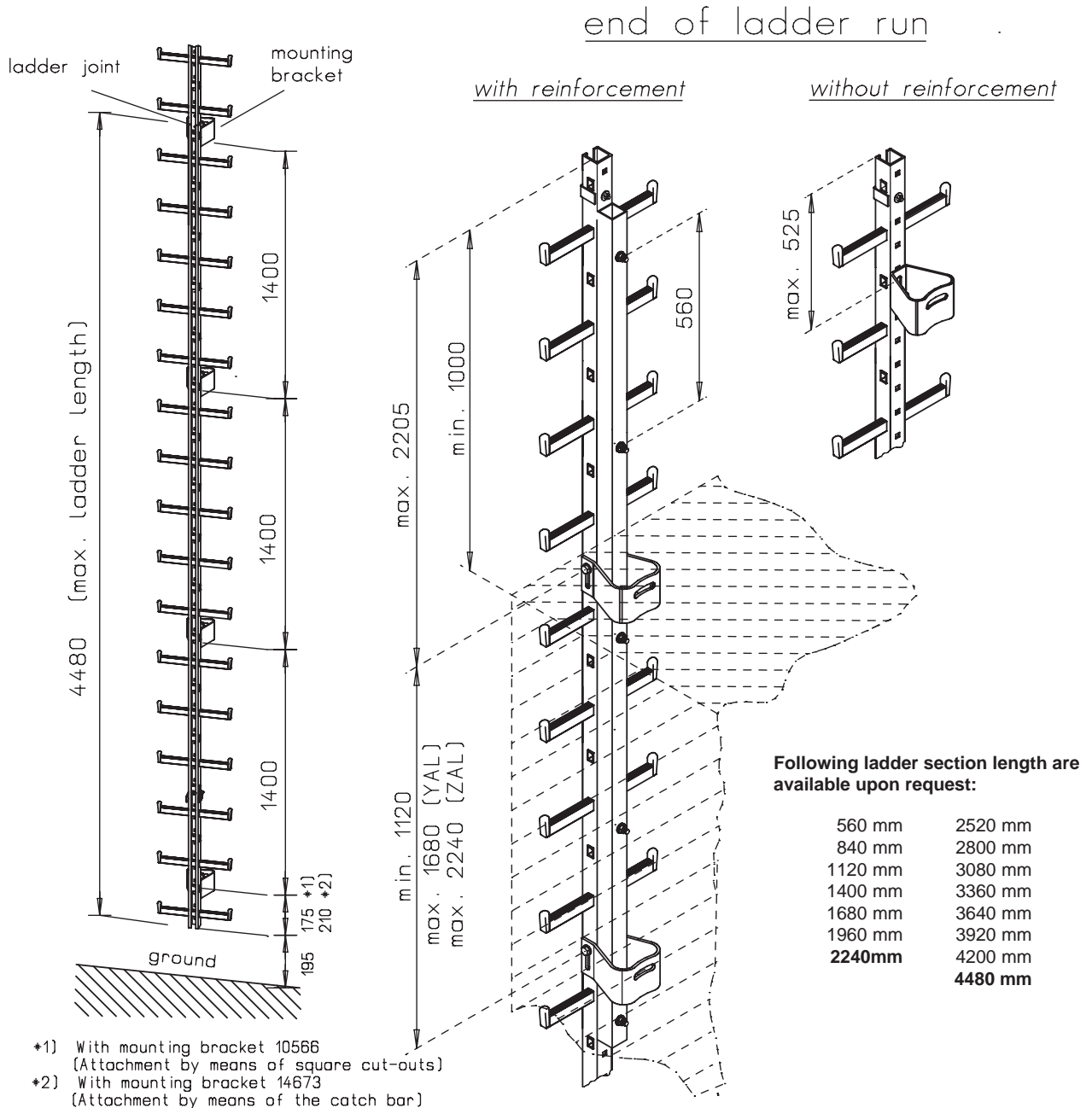
Set of connectors

To connect twin ladders. Made of anodised aluminium. Complete with all mounting elements. Included in the delivery of each Y-ladder (page A 1). Must be used when an existing ladder is cut and reconnected.

Weight: 0,25 kg/each
Part No. 21876



Fixing points for Y-spar and Twin ladder made of aluminium. Using a recommended mounting distance between brackets of 1.400 mm up to a max. of 1.680 / 2.240 mm.



Warning:

For design reasons the guide rail of the ladder must be reinforced if, at the end of the ladder run, the guide-rail rises more than 525 mm above the last mounting bracket. **Projections of more than 525 mm without extra reinforcement are not permitted.** The SÖLL guide rail reinforcement made of 50 mm x 50 mm x 3 mm is bolted onto the guide rail from the back at a distance of 560 mm and must extend down over at least two mounting brackets. Aluminium ladders are subject to temperature-dependent variation of length, which is approximately twice the variation of supporting frameworks made of steel or concrete. In order to avoid tensions to the ladder fixings for the reason of the variant length connections, minimum gap widths should be considered with the ladder joinings.

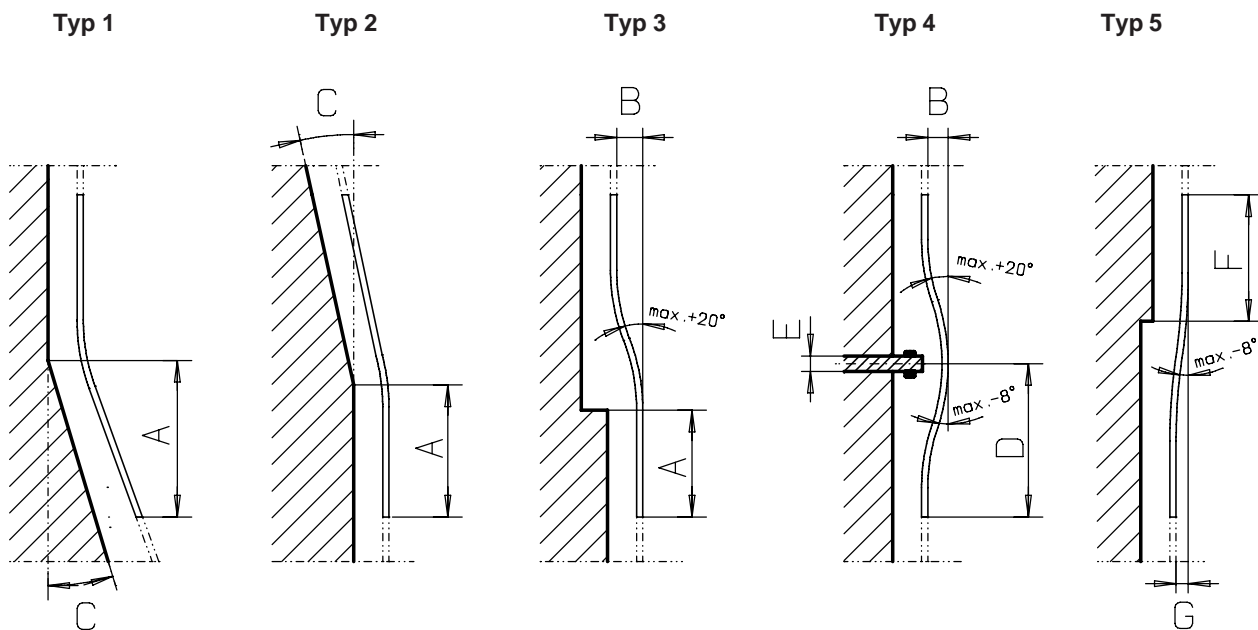
Technical specifications are subject to change without notice.

Smallest radii for ladders made of aluminium, shown in mm:

| Part No. | Page | Article | Minimum radius in mm |
|----------|------|------------------------|----------------------|
| YAL | A 1 | Y-Spar, aluminium | 3000 |
| ZAL | A 1 | Twin Ladder, aluminium | 3000 |

Important information for planning:

Bending Y-spar ladder aluminium: **Part No. YAL-<Typ>**
 Bending Twin ladder aluminium: **Part No. ZAL-<Typ>**



A = Bottom edge of ladder to salient point of structure

B = Of-set (mm)

C = Angle (max. 15 °)

D = Bottom edge to centre of obstruction

E = Width of obstruction

F = Upper edge of ladder to off-set

G = Of-set (max. 260 mm)

The length of the bend depends on the bending radius and on the angle (type 1 +) and/or off-set (typed 3 - 5).

Safety Ladders: Made of Aluminium End-Stops

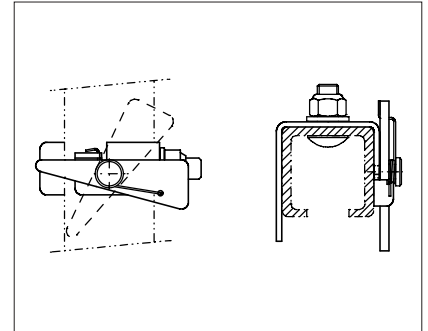
Top End-Stop, spring activated

Prevents the fall arrester from either being inserted incorrectly or accidentally slipping out of the guide-rail. For fitting to the very top of the ladder system. Comes with all fixings.

Stainless steel, pickled

Weight: 0,2 kg/each

Part No. 21052



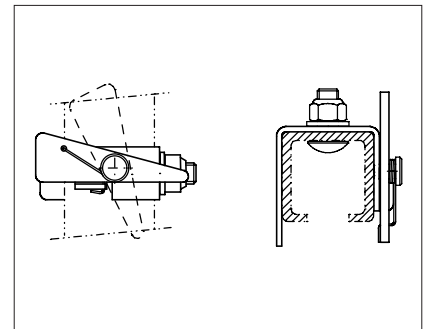
Bottom End-Stop, spring activated

Prevents the fall arrester from either being inserted incorrectly or accidentally slipping out of the guide-rail. For fitting to the very beginning of the ladder system. Comes with all fixings.

Stainless steel, pickled

Weight: 0,2 kg/each

Part No. 21051



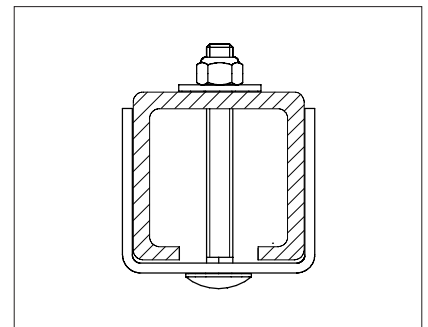
Rigid End-Stop

Does not allow the fall arrester being taken out of the very top ladder section. Comes with all fixings.

Stainless steel, pickled

Weight: 0,2 kg/each

Part No. 11634



Safety Ladders: Made of Aluminium Mounting brackets

Bracket

Projection: 150 mm. Made of anodized aluminium. See page A4. Comes with stainless steel installation elements for fixing ladder to bracket. Wall attachment must be drilled to suit site conditions. Minimum bolt diameter for wall fixing: M 16. Custom made projections upon request.

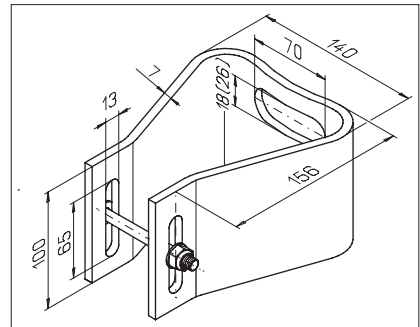
Weight: 0,9 kg/each

M 16

Part No. 14673

M 24

Part No. 16874



Bracket

Projection: 150 mm. Made of anodized aluminium. See page A3. Comes with stainless steel installation elements for fixing ladder to bracket. Wall attachment must be drilled to suit site conditions. Minimum bolt diameter for wall fixing: M 16. All heights of the structure are accessible by moving and turning the bracket as required (variable mounting distance).

Weight: 0,7 kg/each

M 16

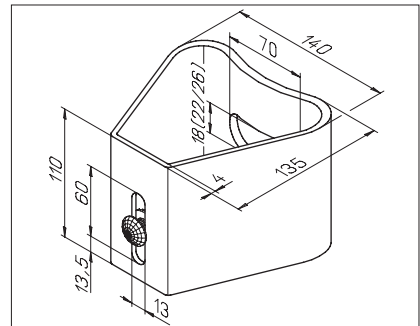
Part No. 10566

M 20

Part No. 22246

M 24

Part No. 16867



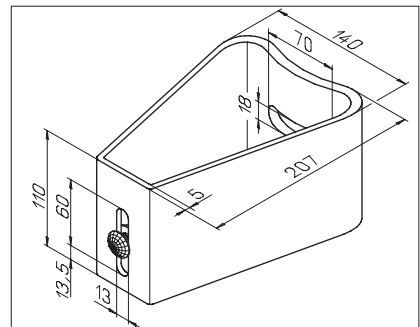
Bracket

Projection: 220 mm. Made of anodised aluminium. Comes with ladder installation components. Wall attachment must be drilled to suit site conditions. Minimum bolt diameter for wall fixing: M 16. All heights of the structure are accessible by moving and turning the bracket as required (variable mounting distance).

Weight: 1,0 kg/each

M 16

Part No. 21443

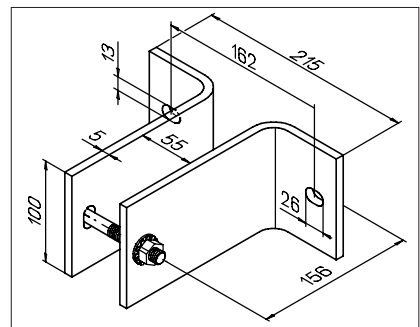


Bracket

Projection: 150 mm. Made of anodized aluminium. Mounting distance for installation without scaffolding: 560 mm. Comes with stainless steel installation elements for fixing ladder to bracket. Wall attachment must be drilled to suit site conditions. Minimum bolt diameter for wall fixing: 2 x M 12.

Weight: 0,7 kg/each

Part No. 10521



Note:

The projection „L“ is subject to the type of the bracket.

Technical specifications are subject to change without notice.

Safety Ladders: Made of Aluminium Mounting brackets

Clamp

Projection possible until 1000mm. Fixation by notches. Complete with all ladder fixing elements. Please indicate the exact mast diameter „D“ and projection „L“ when placing the order.

Material thickness „z“ of the clamp shares:

- > till Ø 210 mm "z" = 6 mm
- > from Ø 220 mm "z" = 8 mm

Weight: Depending on the mast diameter and on the projection.

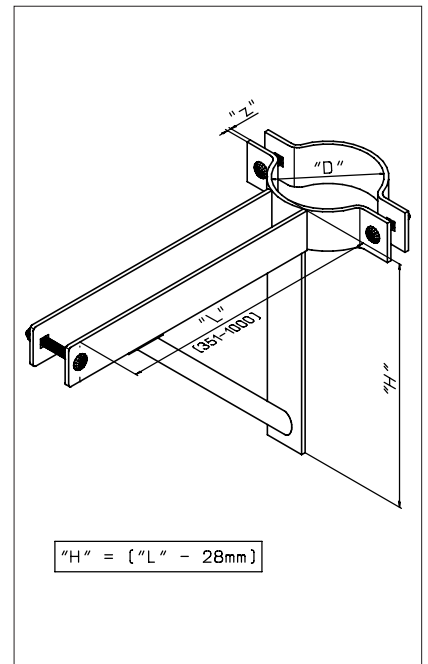
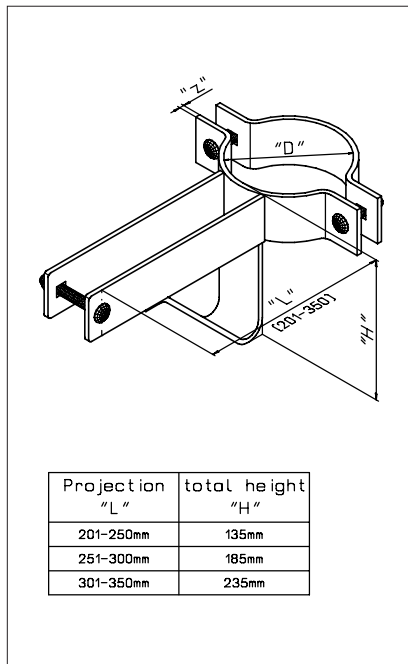
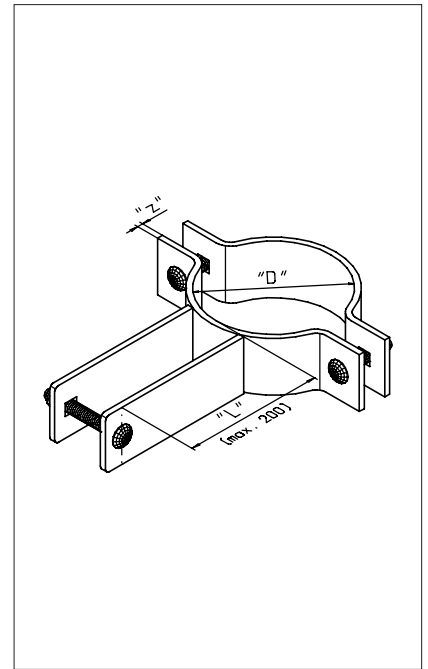
- Mast diameter: min. 60 mm
- Mast diameter: max. 1500 mm

Galvanized steel

Part No. BS-ST5-<Ø in mm>

Stainless steel, pickled

Part No. BS-A4S-<Ø in mm>



Note:

The projection „L“ is subject to the type of the bracket.

Technical specifications are subject to change without notice.

Safety Ladders: Made of Aluminium Mounting brackets

Mounting bracket

with adjustable projections. Also suitable in area of ladder bends. Attachment by means of catch bars. Complete with ladder mounting elements. Wall attachment must be adapted to suit the structural conditions. Min. dimensions M 16.

Galvanized steel

Weight: 2,7 kg/each

L = 200 - 274 mm

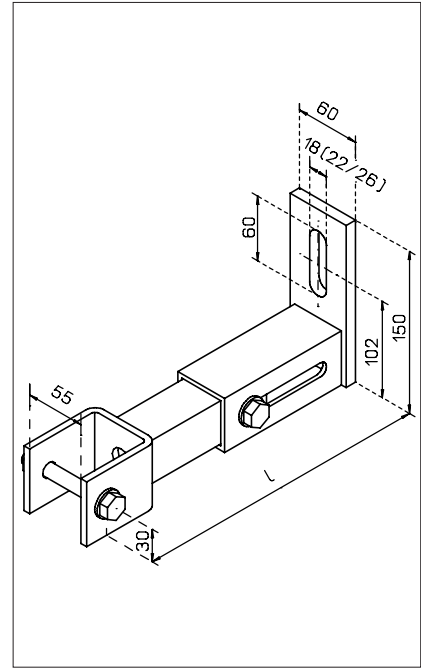
Part No. BB-VSTS 200-275

L = 275 - 350 mm

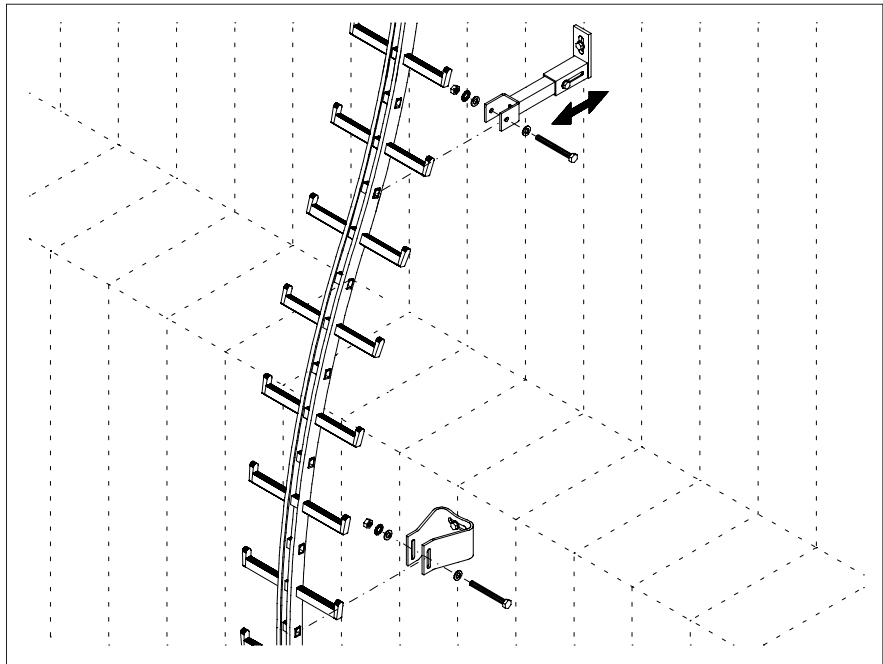
Part No. BB-VSTS 276-350

L = 351 - 425 mm

Part No. BB-VSTS 351-425



Example for the Application



Note:

The projection „L“ is subject to the type of the bracket.

Technical specifications are subject to change without notice.

Safety Ladders: Made of Aluminium Mounting brackets

Tube clamp

with variable extension. Also suitable for use in combination with curved ladders. Attachment through stop blocks. Complete with screws for attachment to ladder. When ordering specify tube diameter and projection range needed.

Weight: depending on tube diameter.

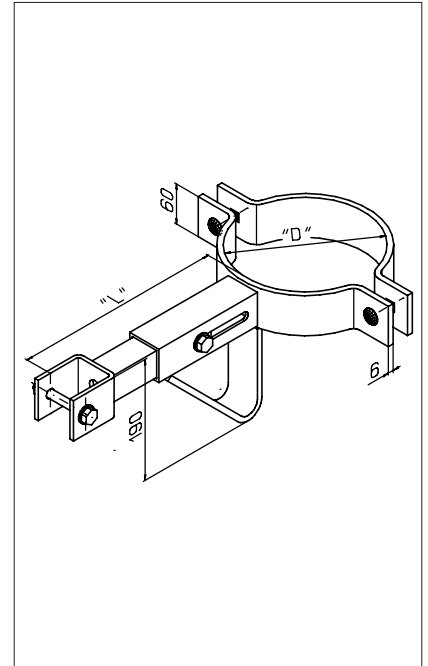
Tube diameter: mind. 60 mm
Tube diameter: max. 1500 mm

Galvanized steel

Projection range:

L = 250 - 325 mm
L = 326 - 400 mm

Part No. BS-VSTS-<Ø in mm>



Weld-on-bracket

To be welded onto supporting structure. Extension 150 mm. Attachment through stop blocks. Complete with screw for ladder attachment. At installation - check for distortion due to welding heat.

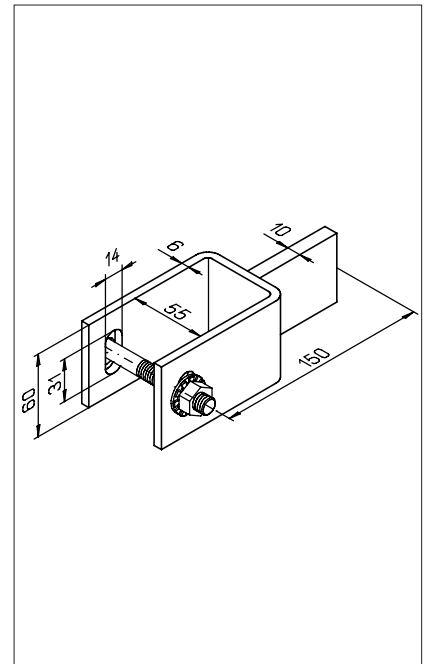
Weight: 1,0 kg/each

Steel

Part No. 17254

Galvanized steel

Part No. 20848



Note:

The projection „L“ is subject to the type of the bracket.

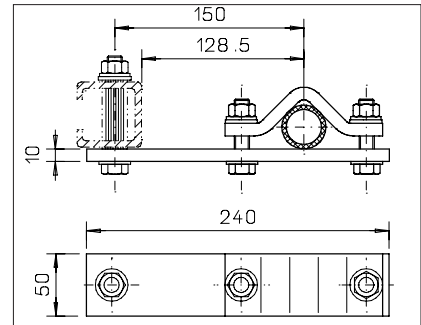
Technical specifications are subject to change without notice.

Safety Ladders: Made of Aluminium Mounting brackets

Bracket

For use on tubular mast members of 20 - 70 mm diameter. Made of galvanized steel. Comes with galvanized steel installation elements. Support structure must be checked for sufficient strength.

Weight: 1,8 kg/each
Part No. 11226



Angle Corner Mounting Bracket

For use on corner struts of lattice masts. Projection: 150 mm. Comes with all installation elements. Different projections upon request. Support structure must be checked for sufficient strength. Made of galvanized steel.

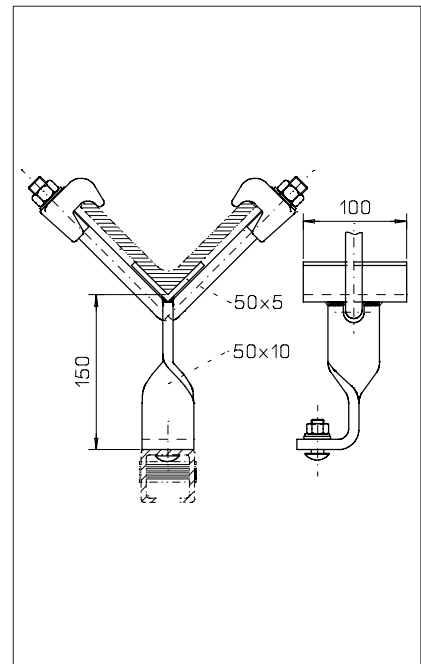
For angle leg dimension up to 100 x 100 mm
Weight: 1,5 kg/each
Part No. 11025

For angle leg dimension from 110 x 110 mm up to 140 x 140 mm
Weight: 1,7 kg/each
Part No. 14696

For angle leg dimension from 150 x 150 mm up to 180 x 180 mm
Weight: 1,9 kg/each
Part No. 14698

For angle leg dimension from 190 x 190 mm up to 220 x 220 mm
Weight: 2,4 kg/each
Part No. 14699

For angle leg dimension from 230 x 230 mm up to 260 x 260 mm
Weight: 2,6 kg/each
Part No. 14700



With cable holder upon request.

Note:

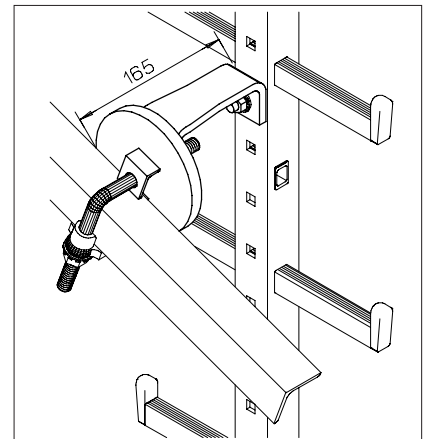
The projection „L“ is subject to the type of the bracket.

Technical specifications are subject to change without notice.

Safety Ladders: Made of Aluminium Mounting brackets

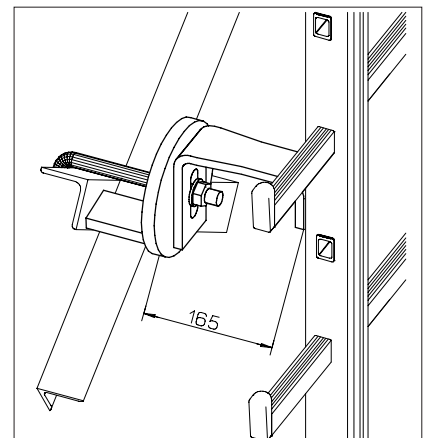
Mounting bracket
for outside diagonal struts of lattice towers.
Please supply strut measurements.

Galvanized steel
Part No. BB-DA



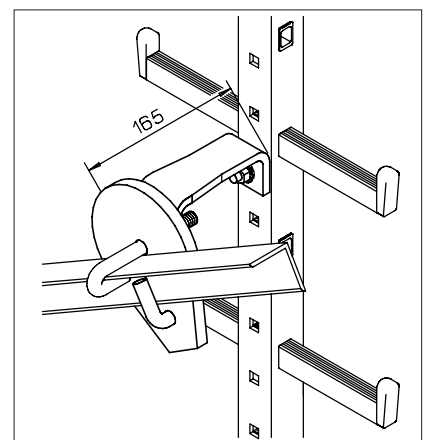
Mounting bracket
for diagonal crossings of lattice towers. Please
supply strut measurements.

Galvanized steel
Part No. BB-DK



Mounting bracket
for inside diagonal struts of lattice towers.
Please supply strut measurements.

Galvanized steel
Part No. BB-DI



Note:
The projection „L“ is subject to the type of the bracket.

Technical specifications are subject to change without notice.

Safety Ladders: Made of Aluminium Footrests

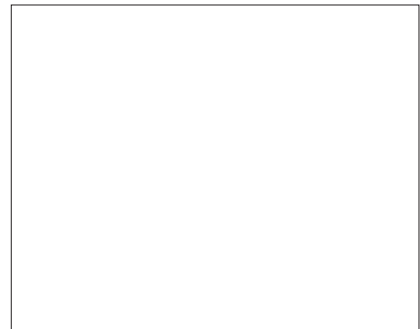
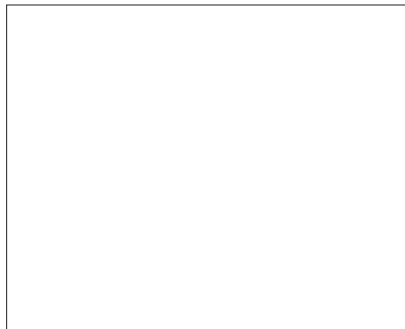
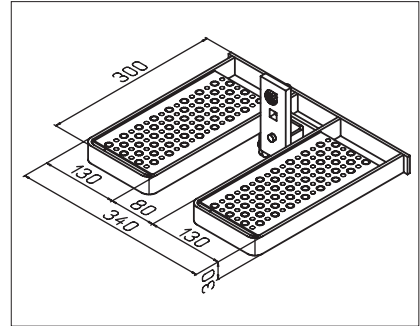
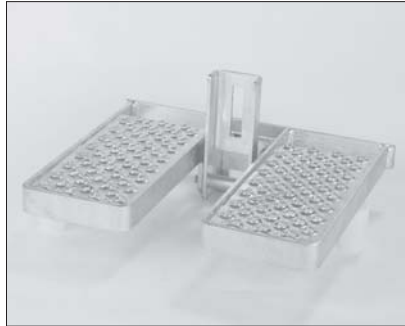
Folding Footrest

for Y-spar and twin ladder with step width per side 150 and 180 mm. For rung distance of 280 mm. Complete with fixings.

Weight: 4,6 kg/each

Galvanized steel
Part No. 23722

Stainless steel, pickled
upon request



Footrest with Two Working Platforms

To provide working access adjacent to the ladder, e. g. for working on offset antennas ect. Footrest and platform unfold to allow unrestricted climber access. For use by one person only. For rung distance: 280 mm. Complete with fixings. Please specify mast diameter.

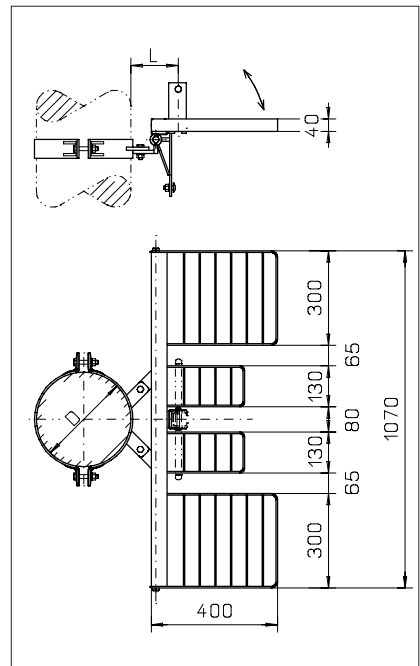
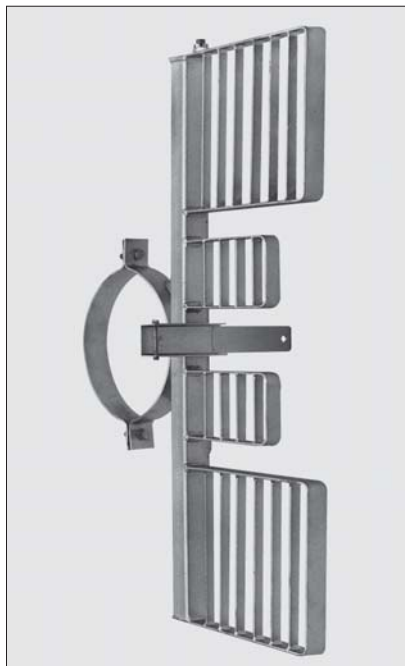
Weight: Depends on mast diameter
Width 150 mm and 180 mm

Galvanized steel
Part No. 11323

Stainless steel upon request.

Required informations:

| mast diameter D= | projection L= |
|---------------------|------------------|
| | |



Wall and corner mounting brackets on request.

Safety Ladders: Made of Aluminium Footrests

Footrest with One Working Platform

(on left side)

To provide working access adjacent to the ladder, e. g. for working on offset antennas ect. Footrest and platform unfold to allow unrestricted climber access. For use by one person only. For rung distance: 280 mm. Complete with fixings. Please specify mast diameter.

Weight: Depends on mast diameter
Width 150 mm and 180 mm

Galvanized steel

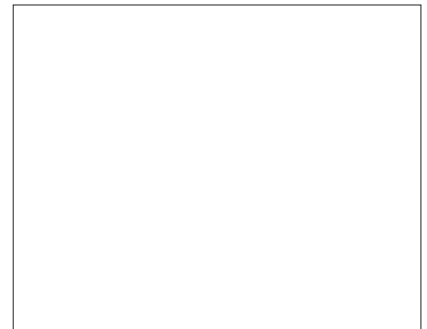
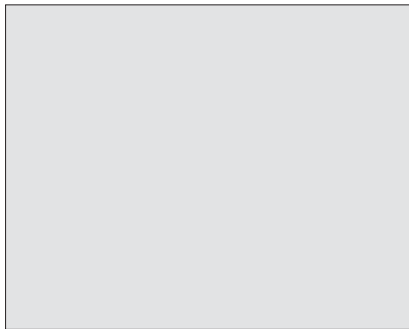
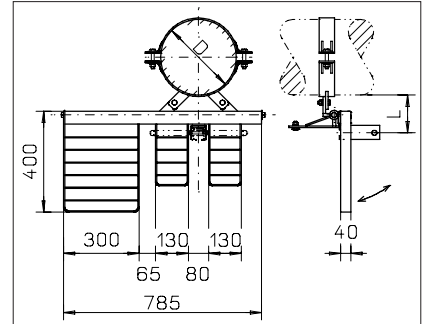
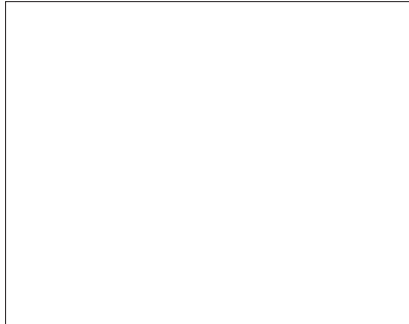
Part No. 15384

Stainless steel upon request.

Required informations:

| mast diameter D= | projection L= |
|---------------------|------------------|
| | |

Wall and corner mounting brackets on request.



Footrest with One Working Platform

(on right side)

To provide working access adjacent to the ladder, e. g. for working on offset antennas ect. Footrest and platform unfold to allow unrestricted climber access. For use by one person only. For rung distance: 280 mm. Complete with fixings. Please specify mast diameter.

Weight: Depends on mast diameter.
Width 150 mm and 180 mm

Galvanized steel

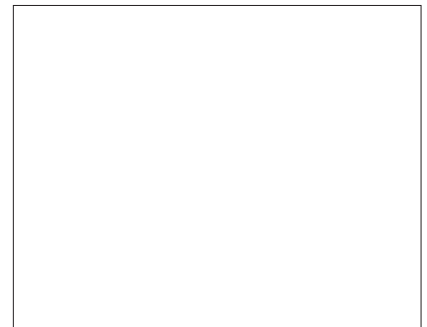
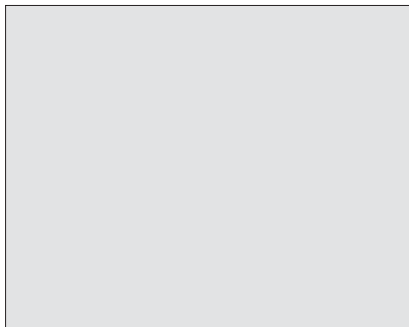
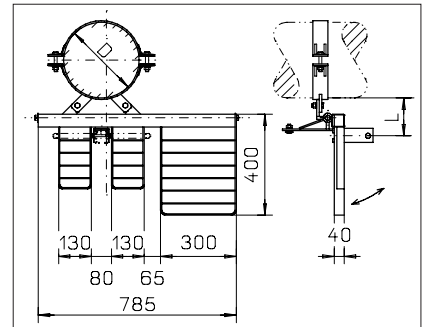
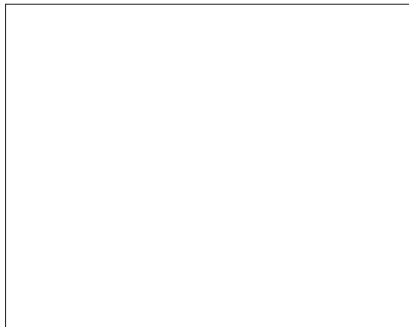
Part No. 15387

Stainless steel upon request.

Required informations:

| mast diameter D= | projection L= |
|---------------------|------------------|
| | |

Wall and corner mounting brackets on request.



Safety Ladders: Made of Aluminium Footrests / Recess

Pivotable Footrest

for aluminium ladders. Comes with all installation elements.

Weight: 17,5 kg/each

Hinge on left side

Galvanized steel

Part No. 15391

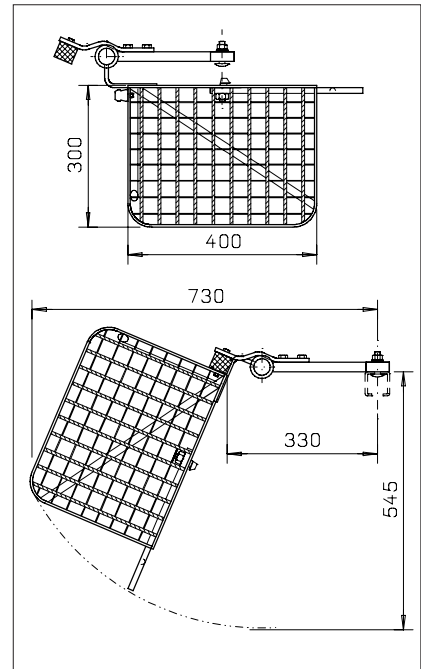
Stainless steel, pickled upon request

Hinge on right side

Galvanized steel

Part No. 16547

Stainless steel, pickled upon request



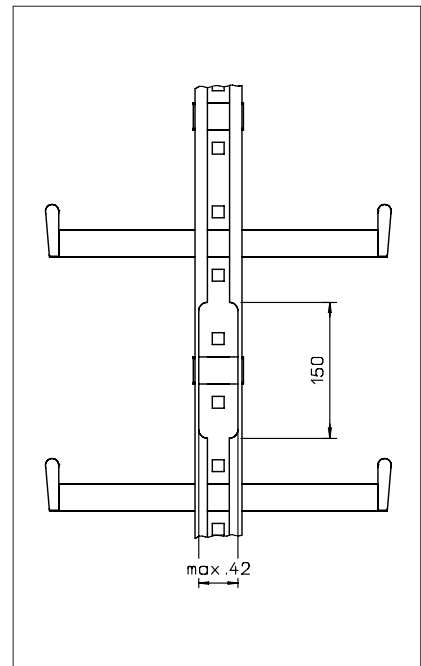
Recess

For aluminium Y Spar ladders and twin ladders. To insert and take out the fall arresters. As the fall protection unit does not have a protecting function within the recess, there must be an end stop „below“ above the 2. notch of the recess. The end stop must be ordered separately.

The recess may only be provided at the beginning of the climbway. At the beginning of climbway involving the risk of falling for the user, it is not allowed to utilize the recess.

In case the fall arrester will be taken out from the climbway during its course, than an exit section has to be used.

At the time of ordering the part of the ladder with recesses must be marked with an "A" or the notice "with recess".



Safety Ladders: Made of Aluminium Exit Section

Exit Section

Used for secure removing/inserting the fall arrester from/into the guide-rail, e.g. on platforms. See page A 15. Comes with fixings and setting out/drilling jig to enable accurate installation. May be also refitted into already existing Söll Aluminium ladders.

Weight: 2,0 kg/each

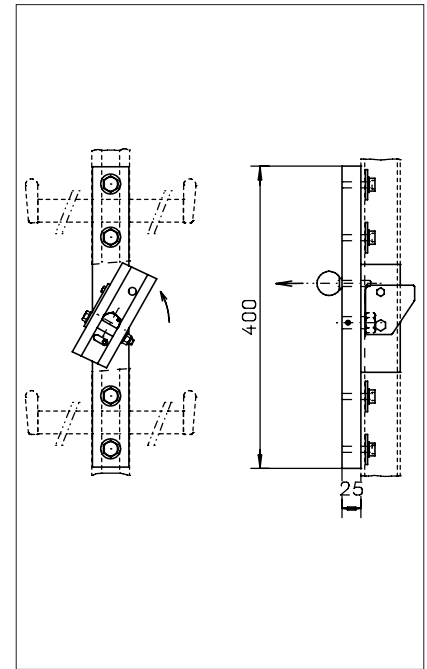
Part No. 10550

Factory assembly of the exit section

At the time of ordering, the part of the ladder with the factory assembled exit section must be marked with "AV" or the notice "with assembled exit section". In the case of assembly at the factory please also specify the installation height.

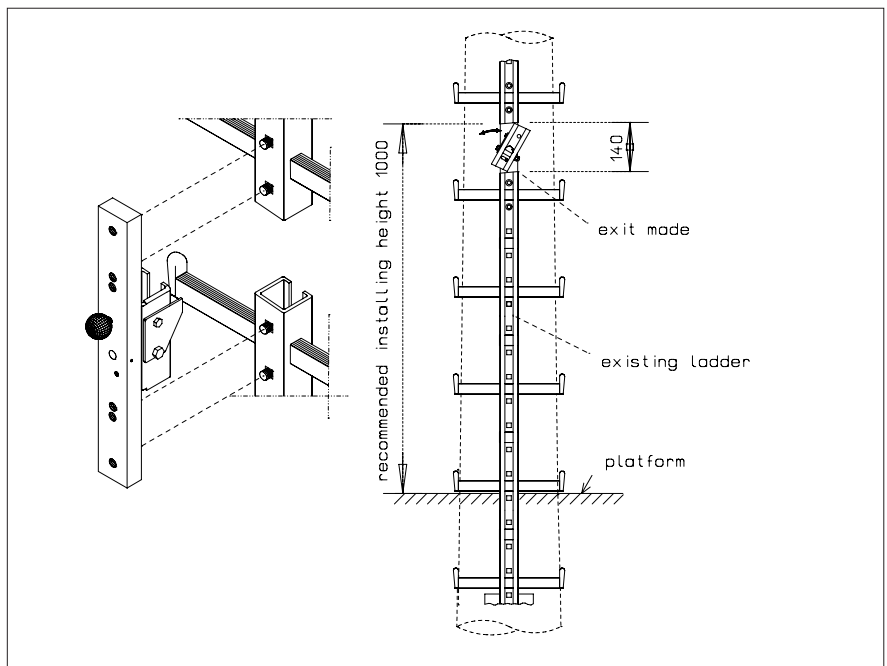
Please note:

Installation is only possible between two rungs.



Possibility heights for installation in a ladder section of 4480 mm

| Height from bottom ladder section | |
|-----------------------------------|--------------------------|
| 490 mm | between 2. and 3. rung |
| 770 mm | between 3. and 4. rung |
| 1.050 mm | between 4. and 5. rung |
| 1.330 mm | between 5. and 6. rung |
| 1.610 mm | between 6. and 7. rung |
| 1.890 mm | between 7. and 8. rung |
| 2.170 mm | between 8. and 9. rung |
| 2.450 mm | between 9. and 10. rung |
| 2.730 mm | between 10. and 11. rung |
| 3.010 mm | between 11. and 12. rung |
| 3.290 mm | between 12. and 13. rung |
| 3.570 mm | between 13. and 14. rung |
| 3.850 mm | between 14. and 15. rung |



- The exit section is suitable for Y-Spar ladder as well as Twin ladder, both made of aluminium.
- The exit section may be used for rung distances of 280 mm and 250 mm.
- Recommended installing height above platform: approx. 1.000 mm.

Technical specifications are subject to change without notice.

Safety Ladders: Made of Aluminium Rotary Exit Section

Rotary Exit Section

Used for leaving the top end of the ladder system by inserting the fall arrester into the rotary and turning either side safely onto the platform behind the ladder. Please specify total ladder length up to the rotary disk. See page A 19. Made of anodized aluminium alloy.

With footrest (independently pivotable platforms)

Weight: 16,4 kg/each

Part No. 10558

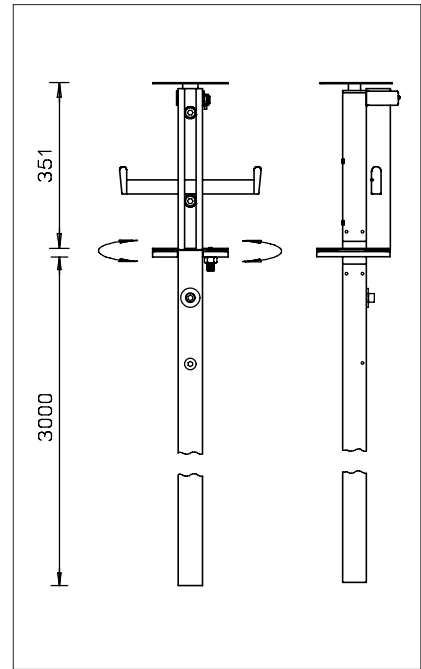
Without footrest

Weight: 12,0 kg/each

Part No. 21814

Cost for mounting rotary exit section onto a vertical Söll Aluminium ladder by Söll.

Part No. 16604



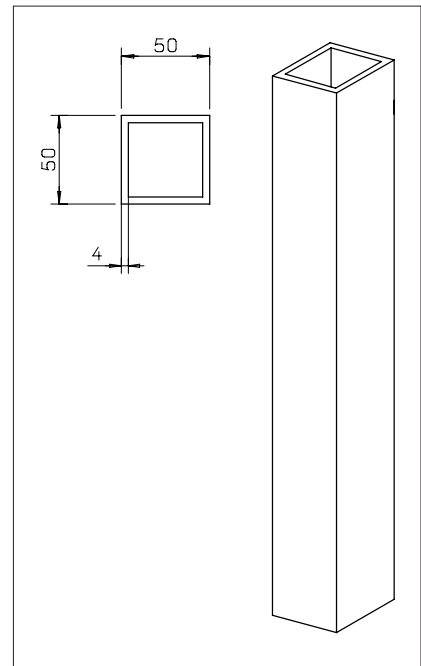
Reinforcement/Strengthening

Is required, when the distance between last mounting point and top-end of the ladder/rail exceeds 525 mm. It must be bolted onto the guide-rail at a distance of 560 mm and must extend down over at least two mounting brackets. Square tube 50 x 50 x 4 mm. Comes with all installation elements.

Anodized aluminium

Weight: 1,9 kg per metre

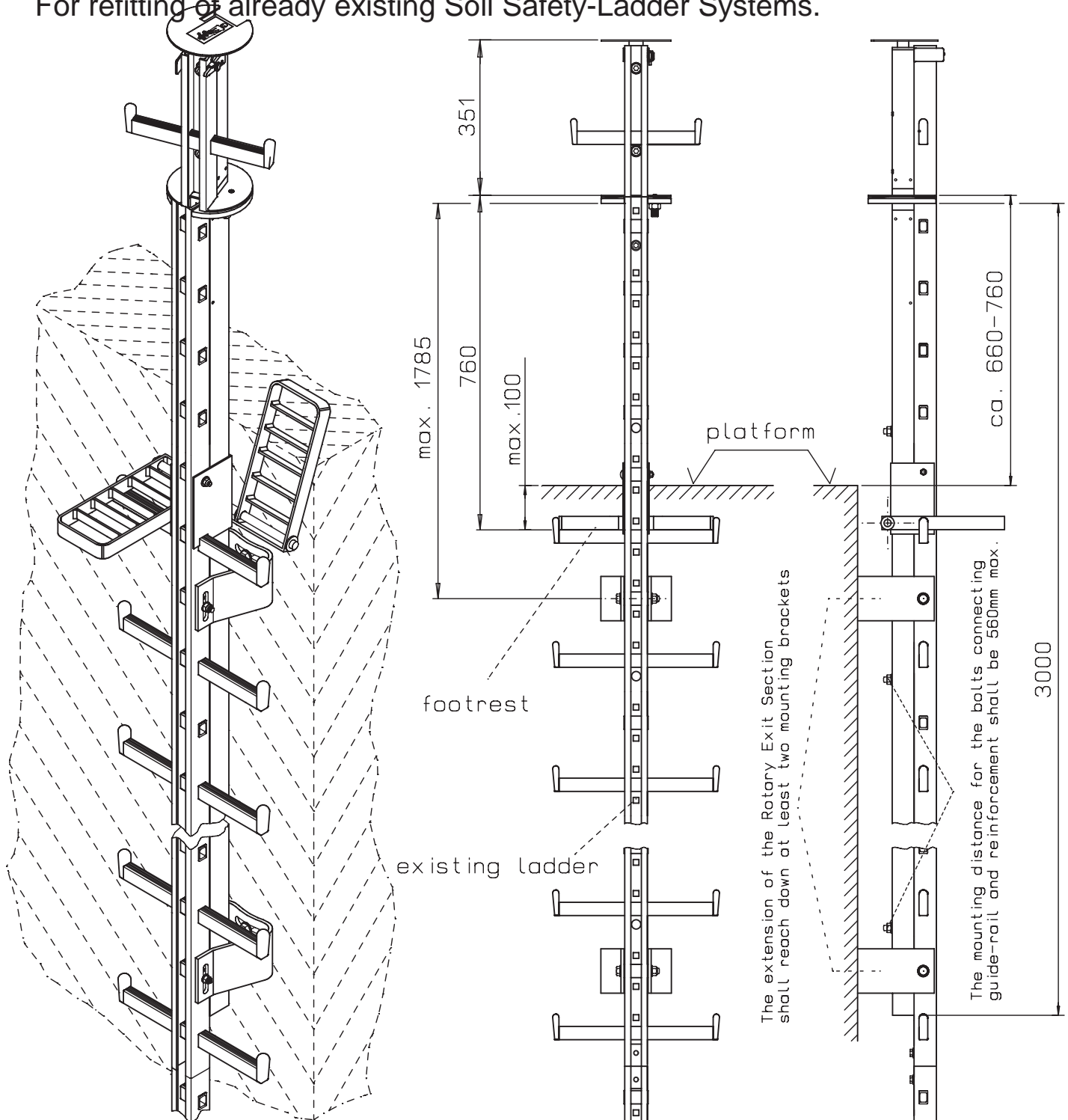
Part No. HV-AL-<length in mm>



Safety Ladders: Made of Aluminium

Engineering Advice for Rotary Exit Section

For refitting of already existing Söll Safety-Ladder Systems.



Technical specifications are subject to change without notice.

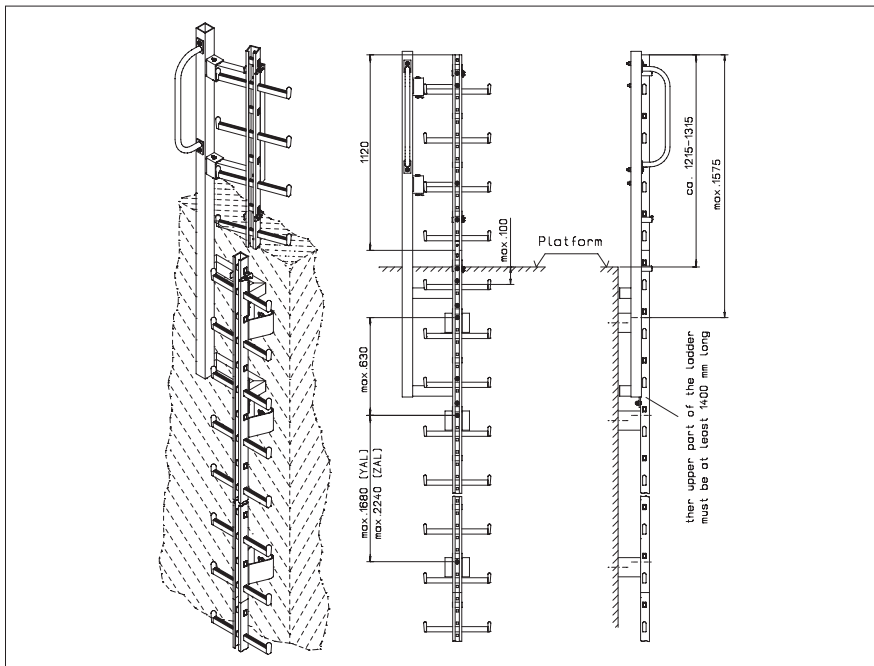
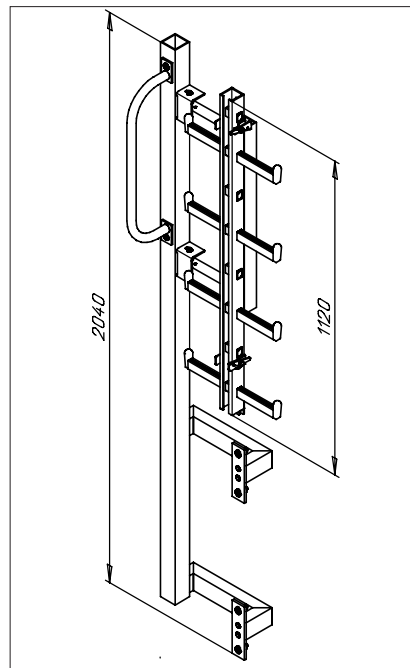
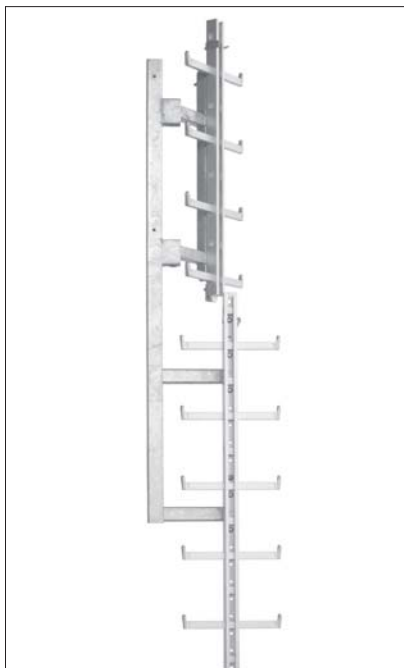
Safety Ladders: Made of Aluminium

Pivoting roof exit

Pivoting roof exit

To be used in confined spaces. For a safe transfer to a surface behind the climbing way. Anchoring on the left side. Complete with all fixing elements. To be fixed on the central spar of the aluminium ladder. (Pls. See page A21).

Weight: 33,0 kg/each
Part No. 23144



Technical specifications are subject to change without notice.



Safety Ladders: Made of Aluminium Cover Plate

Cover Plate, aluminium

For aluminium Y-Spar and Twin Ladder. Comes without ladder section. Prevents unauthorized people from climbing the front, or the rear of the ladder (brackets are covered as well). Opens laterally. Hinges can be switched on-site. If not specified different, hinges are fixed at left side. Complete with stainless steel fixings and cylinder lock. Length: 2500 mm, Width: 523 mm. Total width (when coverplate opened): 991 mm. For brackets with projection of = 150 mm. Smaller projections or custom made cover plates upon request.

Weight: 28,0 kg/each

Hinge on left side

Part No. 21683

Hinge on right side

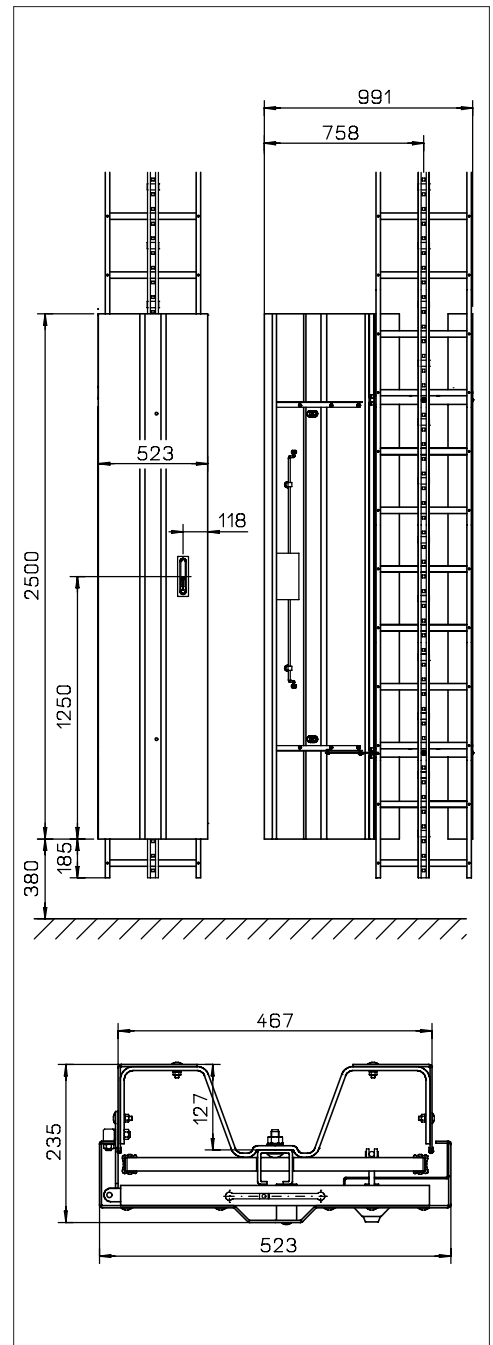
Part No. 21759

Cost for mounting cover plate onto a vertical Söll Aluminium ladder by Söll.

Part No. 16368

Replacement key

Part No. 17478



Technical specifications are subject to change without notice.

Safety Ladders: Made of Aluminium PivotLoc Foldable ladder system - Söll's latest innovation

Design Principle:

PivotLoc is a vertical fall protection access system with unique design features: By pulling out the locking bolt, the side stiles and rungs can be closed or opened. When the ladder is closed, it has a slim and unobtrusive profile. When open, the PivotLoc becomes a rigid, reliable ladder incorporating a Söll fall protection system. When in the closed position, the foldable ladder, in the same way as the cover plate, prevents unauthorised use of the system.

PivotLoc:

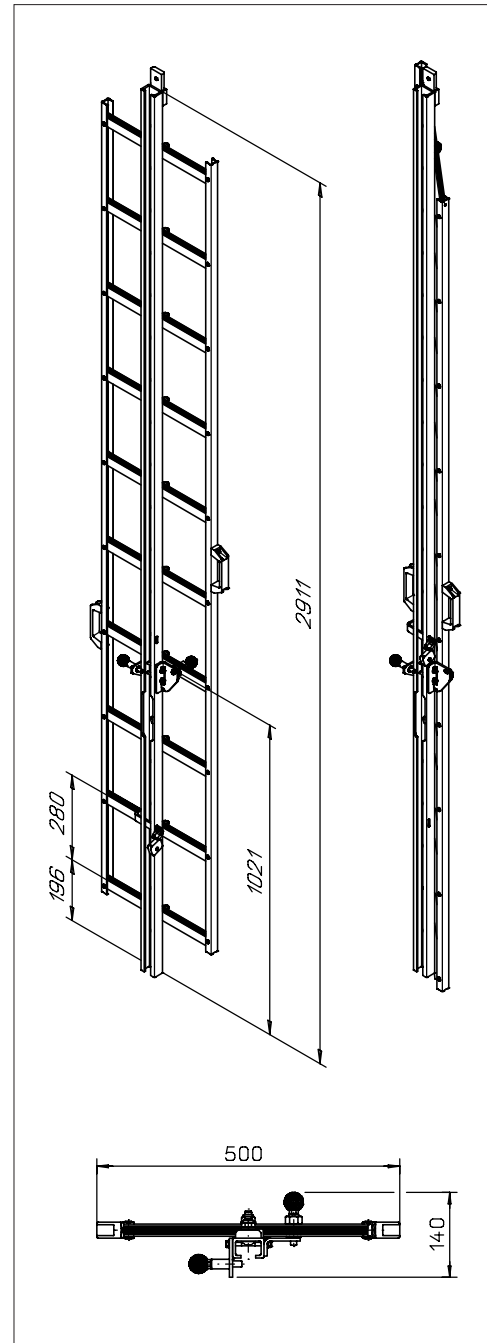
The dimensions of the foldable ladder are: length 2800mm, width 500mm, (195mm when shut). The rung distance is 280 mm. It must be locked open or shut with a padlock. The brackets should be fixed on the pivot points of the rungs. For the projection of the mounting brackets, pls. refer to page A 24a. The foldable ladder can be used combined with all type of ladders. The ladder is complete with arresting device, end stop, recess (entry point), connection part and lateral handles. The System also includes a stainless steel clamp that is used to insert a padlock.

Anodised aluminium to be connected to aluminium ladders

Weight: 12,0 kg/each
Part No. 23193

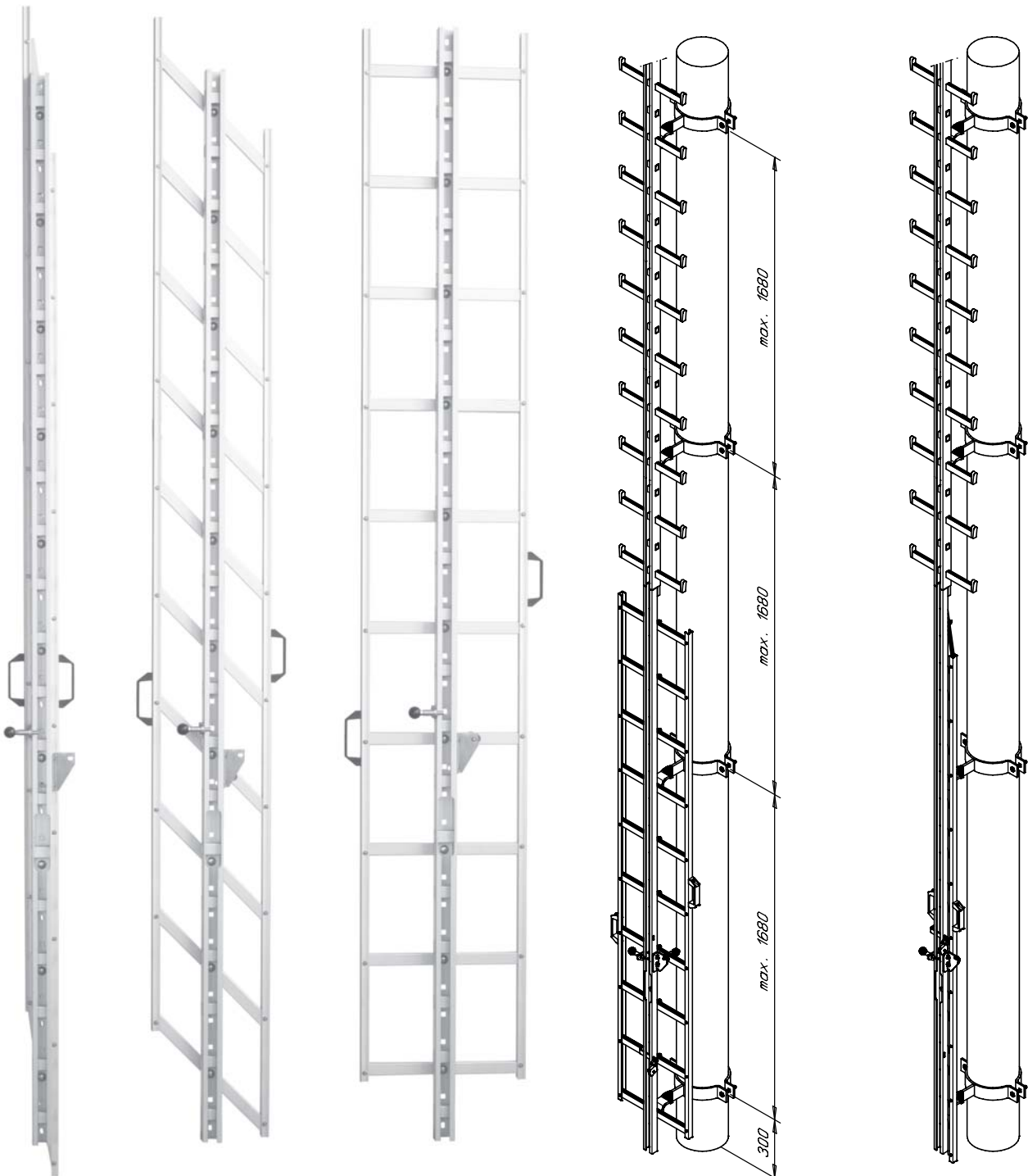
Anodised aluminium to be connected to steel ladders

Weight: 12,0 kg/each
Part No. 23281



Technical specifications are subject to change without notice.

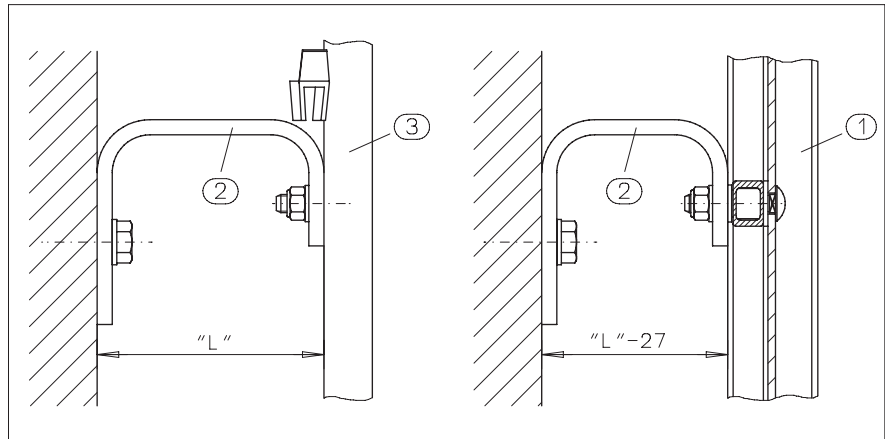
Safety Ladders: Made of Aluminium Planning aid foldable ladder as an alternative to the cover plate.



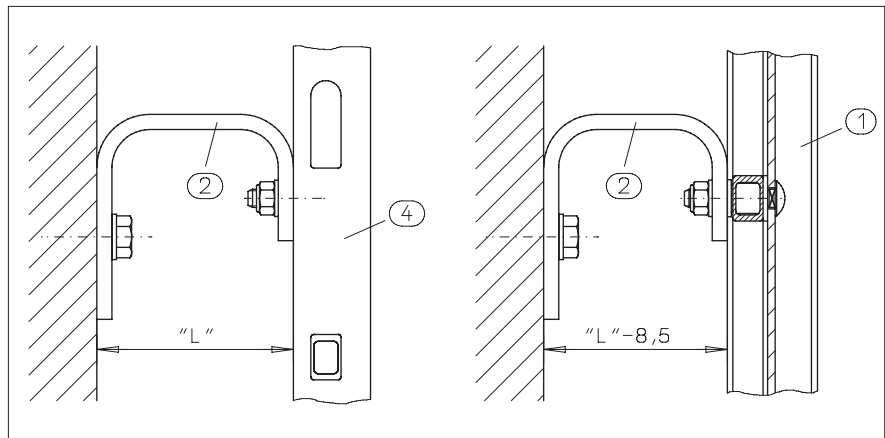
Technical specifications are subject to change without notice.

Safety Ladders: Made of Aluminium PivotLoc Foldable ladder system - Projection of the mounting brackets

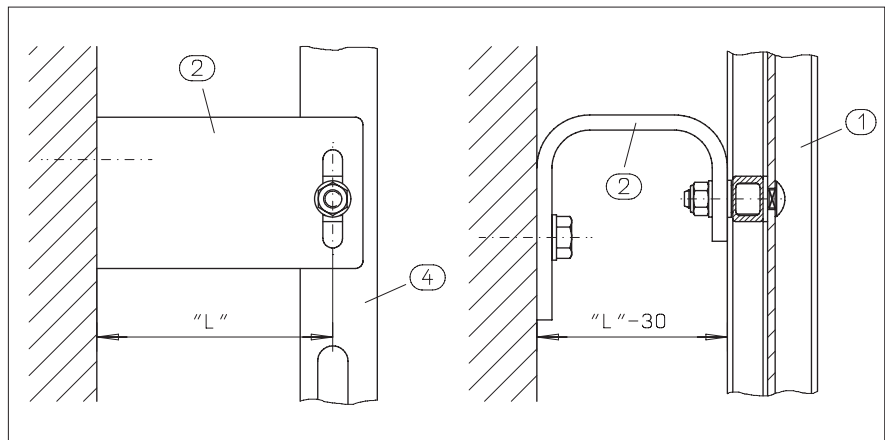
When using the foldable ladder PivotLoc (1) combined with the steel ladder (3), the projection „L“ of the mounting brackets (2) for the foldable ladder must be 27mm shorter.



When using the foldable ladder PivotLoc (1) combined with the aluminum ladder (4) (fixation on the back) the projection „L“ of the mounting bracket (2) for the PivotLoc ladder must be 8,5mm shorter.



When using the foldable ladder PivotLoc (1) combined with the aluminum ladder (4) (mounting by means of the arresting blocks), than the projection „L“ of the mounting brackets (2) for the foldable ladder must be 30mm shorter.



Technical specifications are subject to change without notice.

Safety Ladders: Made of Aluminium Cover Plate

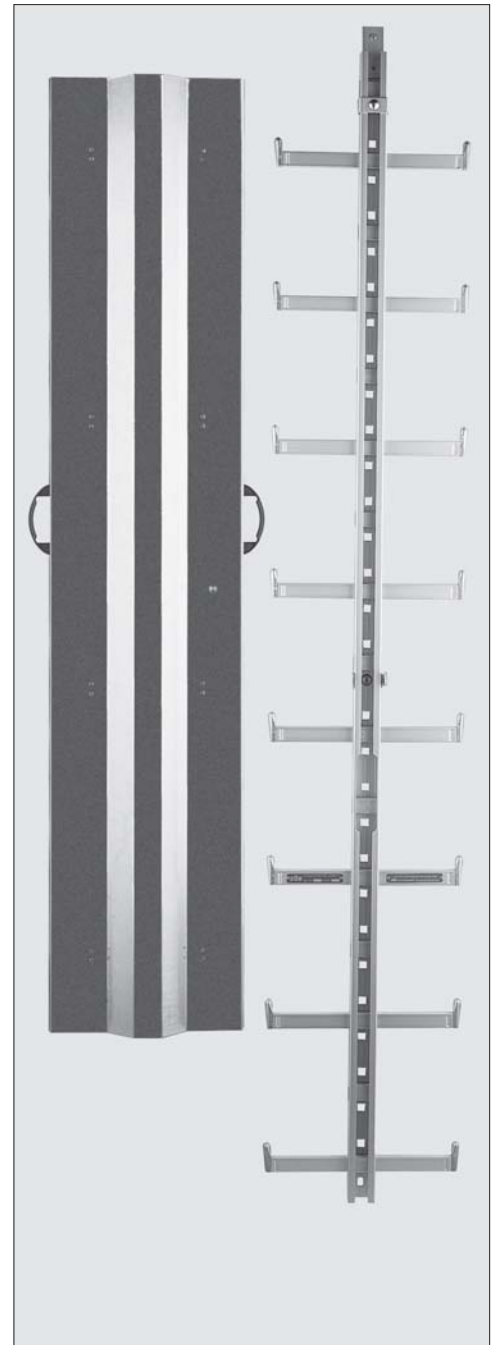
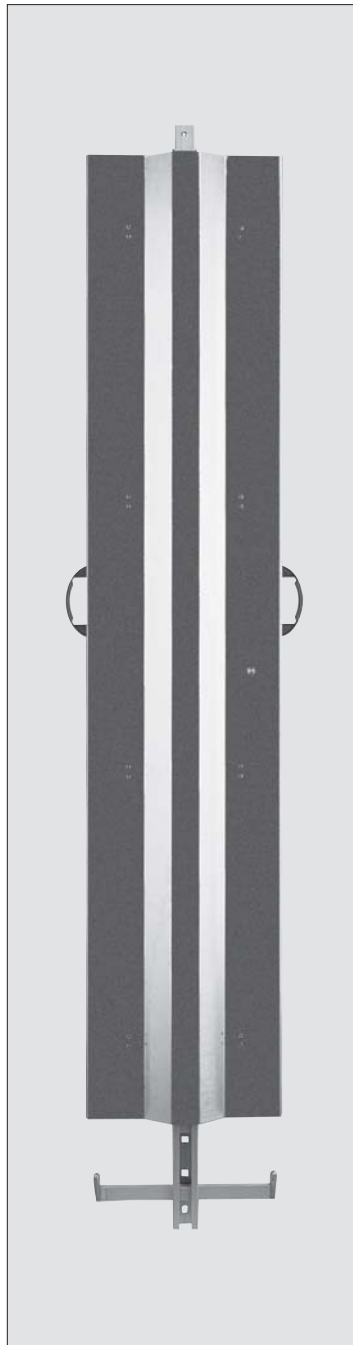
Cover Plate, steel

For aluminium ladders with width 150 mm.
Comes without ladder section. Prevents
unauthorized people from climbing the ladder.
Comes with padlock. Length: 2000 mm.

Cover Plate with handles

Weight: 16,0 kg/each

Part No. 11354



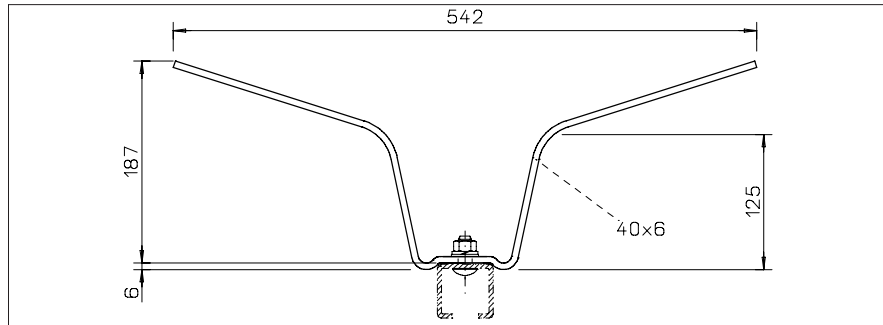
Technical specifications are subject to change without notice.

Safety Ladders: Made of Aluminium Accessories

Cable Holder

To retain cables behind the guide-rail. To be fixed to the back of the rail. Comes with installation elements. Fits to tube-type towers only. If loaded equally, a cable holder can be burdened with a max. of 12,5 kg. The total load of the cables cannot exceed 35 kg/m.

Weight: 0,6 kg/each
Part No. 10531



Turntable

For safe transfer from vertical to horizontal. Made of stainless steel plate and aluminium rail section. Please specify the profile of the horizontal and vertical guide-rail.

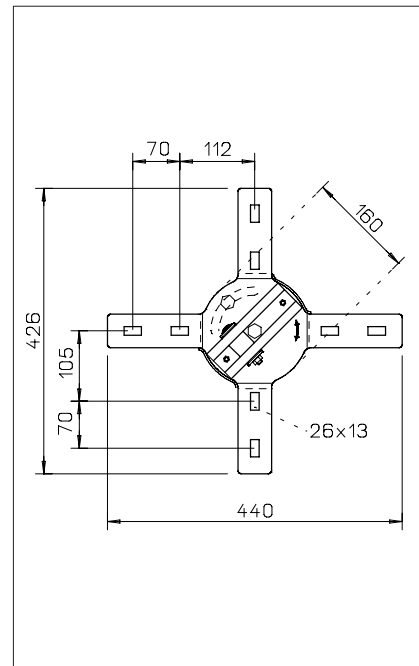
Weight: 2,6 kg/each
Hot Dip Galvanized steel

Bending radius horizontal guide rail
> 1000 mm
Part No. 15299

Bending radius horizontal guide rail
< 1000 mm
Part No. 20793

Cost for mounting turntable onto a Y-Spar Aluminium
Part No. 16884

Factory installation of turntable onto a twin ladder available on request at additional cost.



Safety Ladders: Made of Aluminium

PivotLoc Foldable Ladder system: SÖLL's latest innovation

Design Principle:

By pulling out the locking bolt, the side stiles and rungs can be closed or opened. The closed ladder is slim and unobtrusive. When open, the PivotLoc becomes a rigid, reliable ladder incorporating a Söll fall protection system. The foldable ladder, in the same way as the cover plate, prevents unauthorised use of the system.

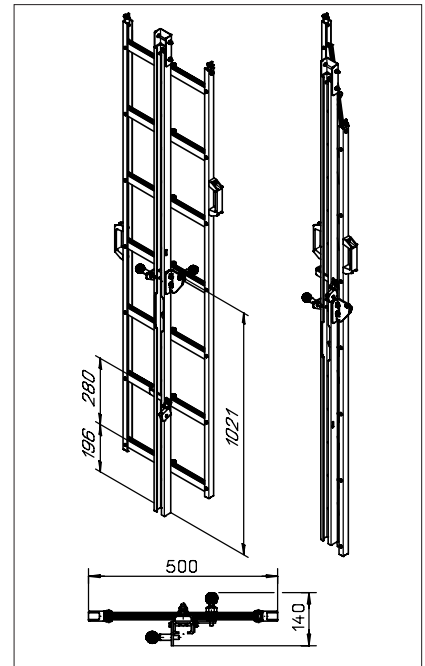
PivoLoc 1. Ladder section:

Made of anodised aluminium, profile 52X33 mm. With arresting device, end stop, recess (entry point), connection part and lateral handles. Fixing distance: 1400 mm recommended, 1680 mm maximum. The brackets should be fixed onto the pivot point of the rungs. Maximum manufacturing length: 4480 mm. Rung distance: 280mm. Delivery includes a stainless steel clamp which enables insertion into a padlock.

Weight: 4,0 kg per metre

Part No.

ZALKLAPP-<ladder length in mm>-A



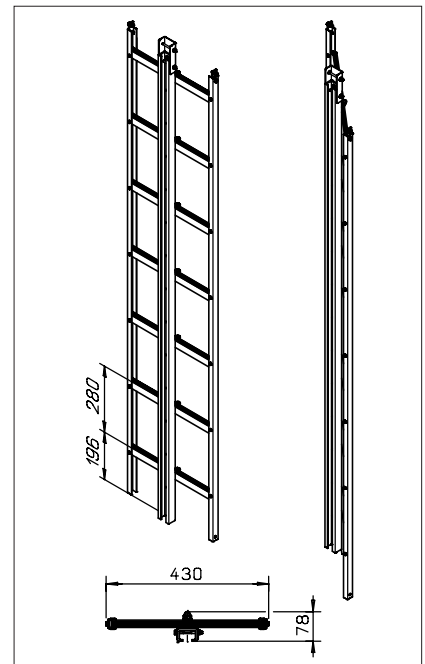
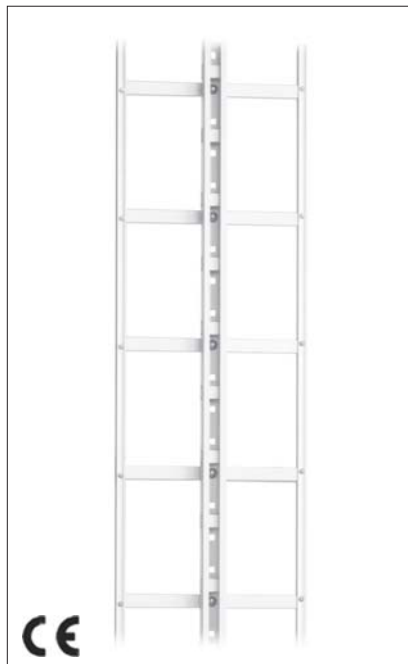
PivotLoc Prolongation Section

Made of anodised aluminium, profile 52x33 mm. With connection part. Fixing distance: 1400mm recommended, 1680mm maximum. The brackets should be fixed onto the pivot point of the rungs. Maximum manufacturing length 4480 mm, rung distance 280mm.

Weight: 4,0 kg per metre

Part No.

ZALKLAPP-<ladder length in mm>



Fixed end stop

It prevents from taking out the fall arrester from the top of the foldable ladder. Complete with all fixing elements.

Stainless steel, pickled

Weight: 0,1 kg/each

Part No. 23205

Assembling aid

Serves to arrest the extension section during assembling.

Stainless steel, pickled

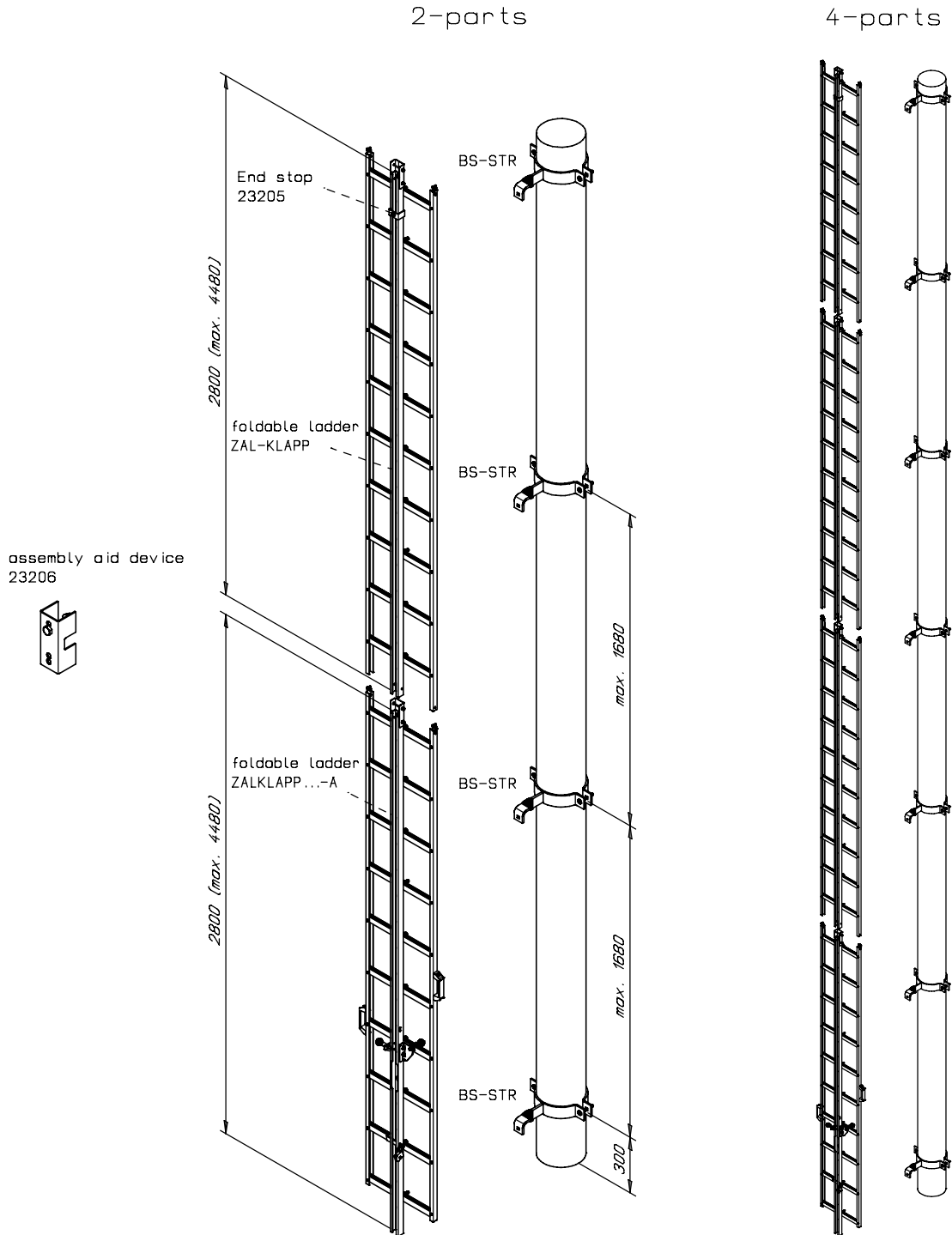
Weight: 0,5 kg/each

Part No. 23206

Technical specifications are subject to change without notice.

Safety Ladders: Made of Aluminium

Planning aid for foldable ladder (multi part)



Technical specifications are subject to change without notice.

Safety Ladders: Made of Aluminium Accessories

Mounting bracket with adjustable projection

Projection: 120 mm up to 160 mm.
Comes with all installation elements. To be used for mounting turntable Part No. 15299 only. For adjustable bracket for latter mounting see page A 8.

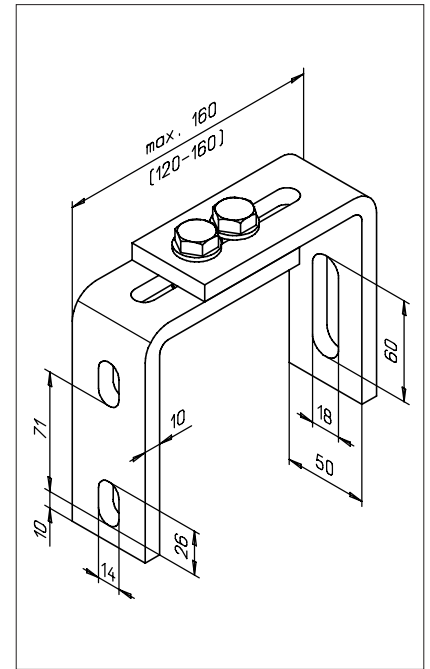
Weight: 1,6 kg/each

Galvanized steel

Part No. 10867

Stainless steel, pickled

Part No. 11591



Mounting bracket with adjustable projection

Projection: 160 mm up to 200 mm.
Comes with all installation elements. To be used for mounting turntable Part No. 15299 only. For adjustable bracket for latter mounting see page A 8.

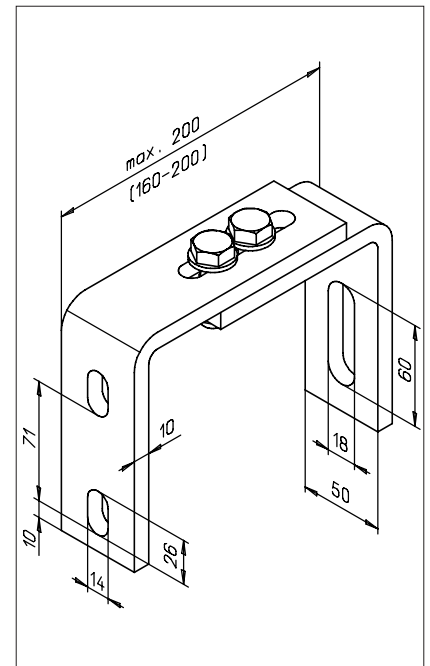
Weight: 1,8 kg/each

Galvanized steel

Part No. 10869

Stainless steel, pickled

Part No. 15250



Note:

The projection „L“ is subject to the type of the bracket.

Technical specifications are subject to change without notice.

Safety Ladders: Made of Aluminium Entering device

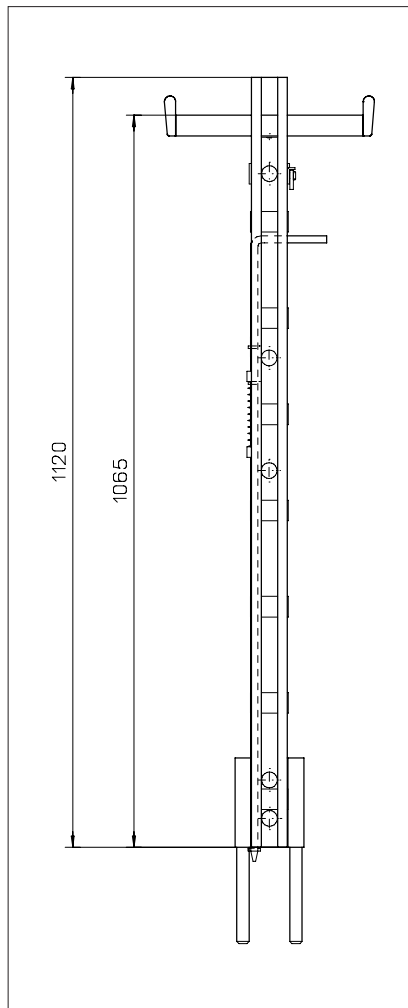
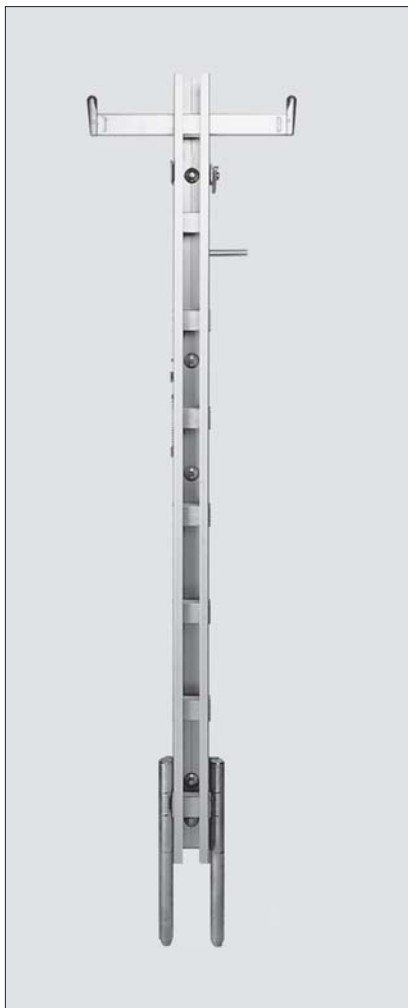
Entering device

For safe entry into manholes. The device is inserted into the female coupling on the top of the guide-rail in the manhole. This device can be moved from one manhole ladder to another.

Aluminium

Weight: 4,5 kg/each

Part No. 17410



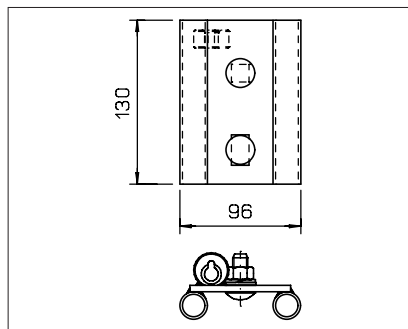
Female Coupling for Entering Device

This device is fixed to the top of the guide-rail in the manhole.

Stainless steel, pickled

Weight: 0,8 kg/each

Part No. 16191



Technical specifications are subject to change without notice.

Safety Ladders: Made of Aluminium Accessories

Roundabout

For a safe transfer between two different vertical climbing routes without disconnecting the fall arrester from the guide-rail or the climber. Projection of the climbing way 150mm. Minimum mast diameter: 200 mm, Maximum mast diameter: 1000 mm, maximum turning off-set 200°. Comprising two horizontal rods which enables the transfer of the guide-rail section together with the fall arrester to the other ladder. Made of galvanized steel with aluminium guide-rail section. Comes with all fixing elements. For added safety and ease of movement, we recommend fitting a hand-rail section (Part No. HL) and an open steel flooring transfer platform (Part No. UP). Please specify mast diameter, offset angle, projection and ladder type.

Weight: depending on dimensions, approx. 25 kg.

For mast diameter from 200 to 350 mm

Part No. 16612

For mast diameter from 351 to 500 mm

Part No. 18697

For mast diameter from 501 to 700 mm

Part No. 18698

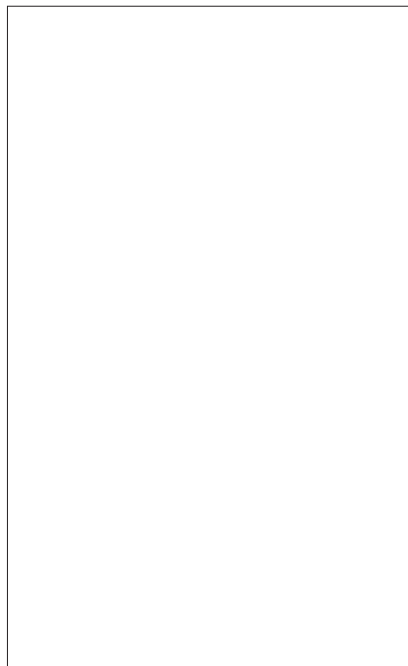
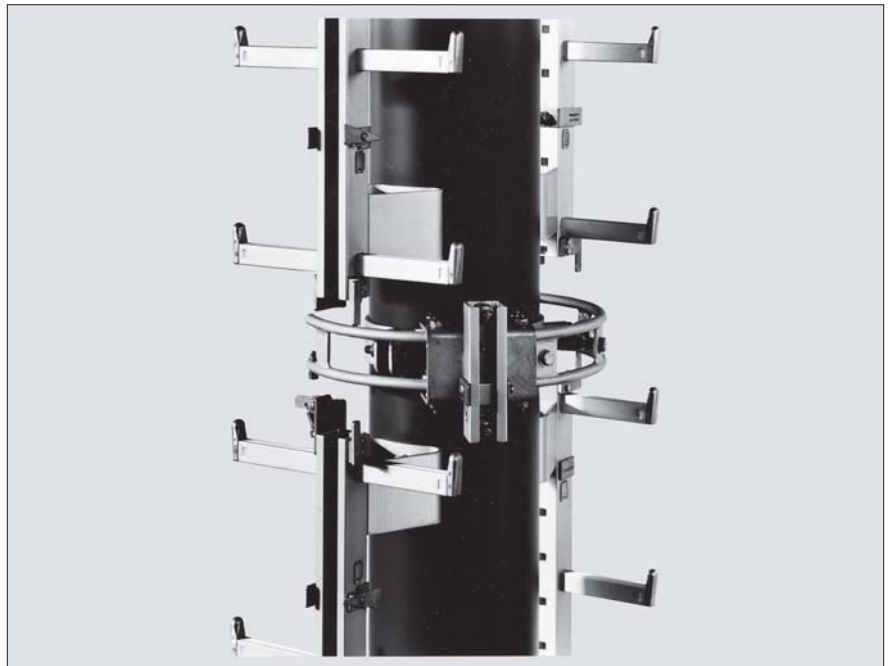
For mast diameter from 701 to 1000 mm

Part No. 18699

Installation example

Roundabout with handrail and transfer platform.

Roundabouts for climbing ways with special projections are available upon request.



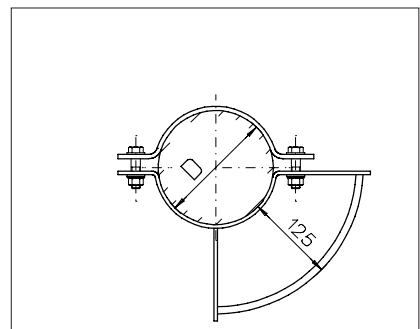
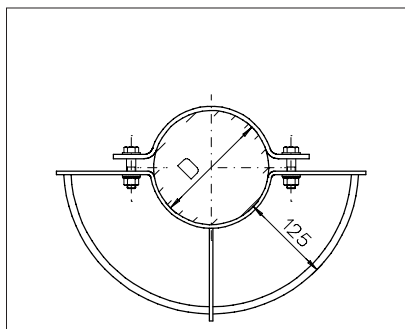
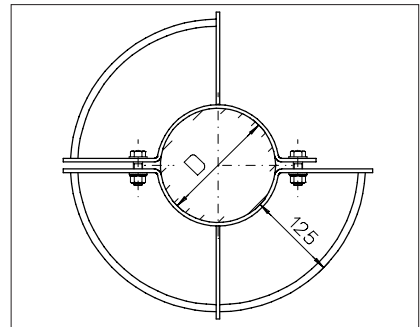
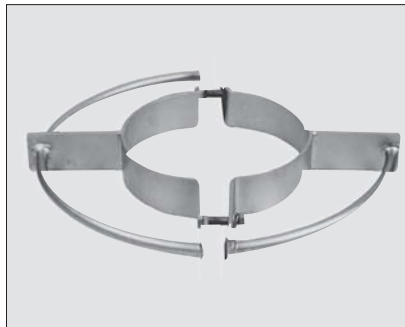
Safety Ladders: Made of Aluminium Accessories

Handrail

Ideal for use with **roundabout**. Can also be used on its own. Minimum mast diameter: 90 mm. Made of galvanized steel. Complete with mounting elements. Please specify mast diameter and offset angle.

Weight: depending on dimensions.

Part No. HL-<segment size>-<Ø in mm>

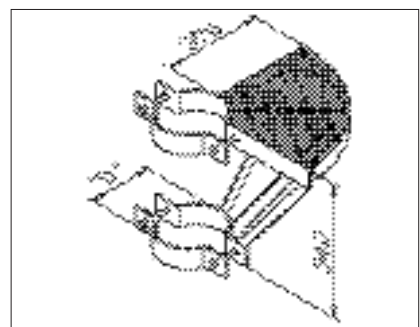
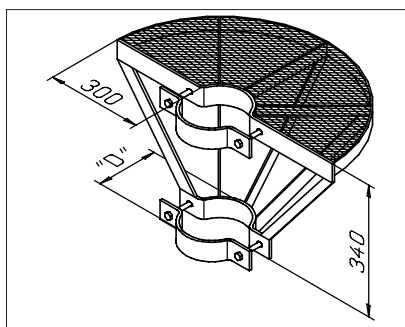
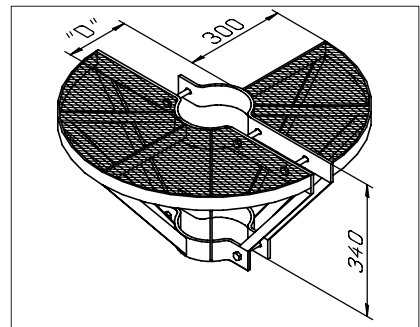


Transfer Platform

Ideal for use with roundabout. Can also be used on its own. Minimum mast diameter: 100 mm. Made of galvanized steel. Complete with mounting elements. Please specify mast diameter and offset angle.

Weight: depending on dimensions.

Part No. UP-<segment size>-<Ø in mm>



Technical specifications are subject to change without notice.

Safety Ladders: Aluminium Brackets

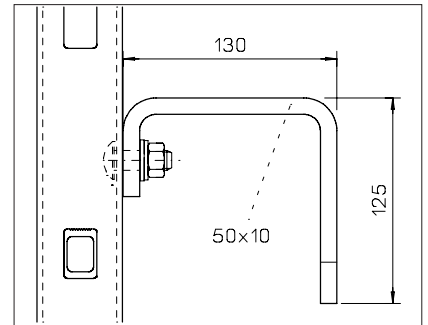
Male-bracket with insertion aid

For use with female clamp without lock (Part No. BES-OA). Projection: 130 mm. Comes with all installation elements.

Galvanized steel

Weight: 1,2 kg/each

Part No. 10779



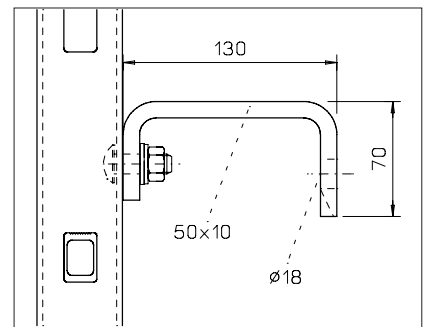
Male-lock-bracket

For use with female clamp with integrated lock (Part No. BES-MA). Projection: 130 mm. Comes with all installation elements.

Galvanized steel

Weight: 1,0 kg/each

Part No. 14981



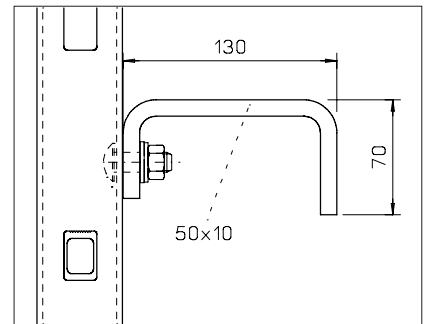
Male-bracket

For use with female clamp without lock (Part No. BES-OA). Projection: 130 mm. Comes with all installation elements.

Galvanized steel

Weight: 1,0 kg/each

Part No. 14982



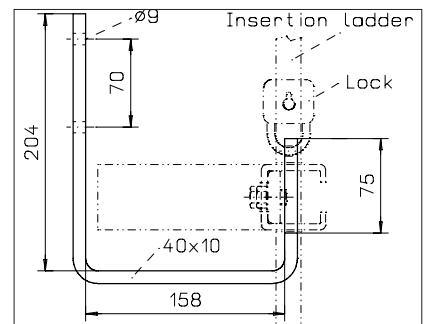
Fixed wall bracket

For retention of insertion suspension ladder - lockable. With hole Ø 11 mm drilled for pad lock

Galvanized steel

Weight: 1,5 kg/each

Part No. 15772



Technical specifications are subject to change without notice.

Safety Ladders: Made of Aluminium Brackets

Female-Clamp without lock

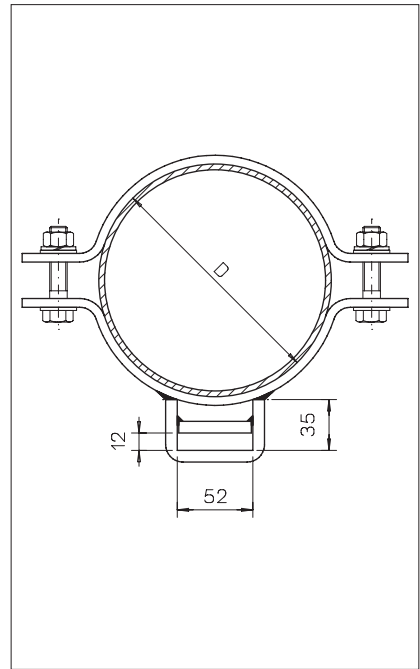
Please specify mast diameter when ordering.

Mast diameter: min. 80 mm
Mast diameter: max. 1500 mm

Galvanized steel

Part No. BES-OA-<Ø in mm>

Wall and corner mounting brackets on request.



Female-Clamp with integrated lock

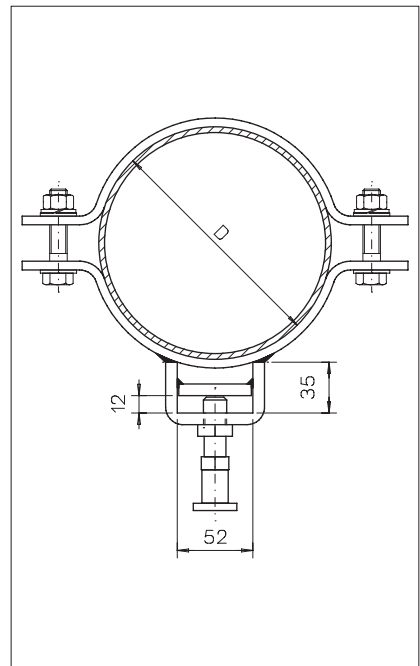
To be used in conjunction with clamp Part No. 14981 only. Please specify mast diameter when ordering.

Mast diameter: min. 80 mm
Mast diameter: max. 1500 mm

Galvanized steel

Part No. BES-MA-<Ø in mm>

Wall and corner mounting brackets on request.

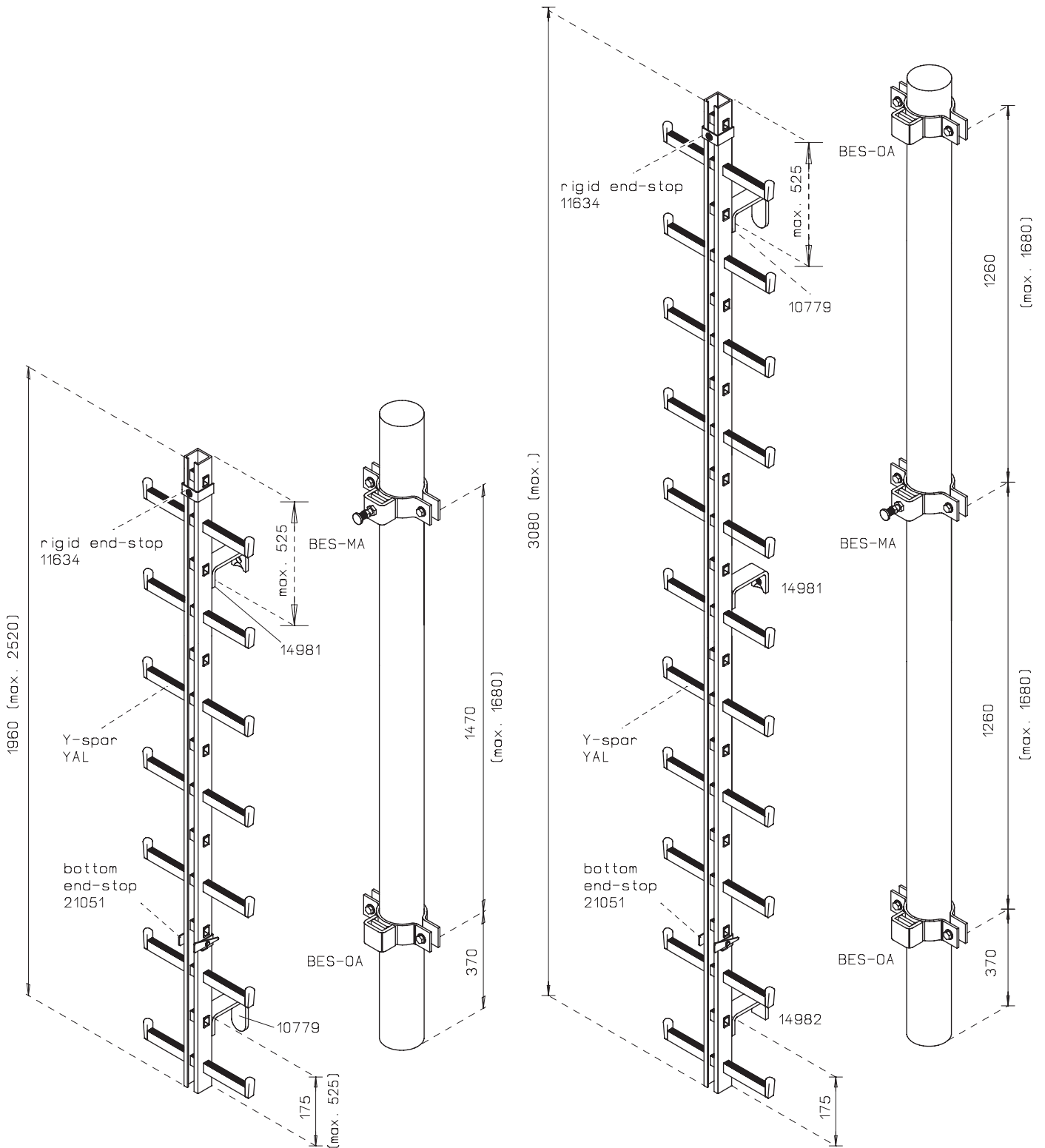


Note:

The projection „L“ is subject to the type of the bracket.

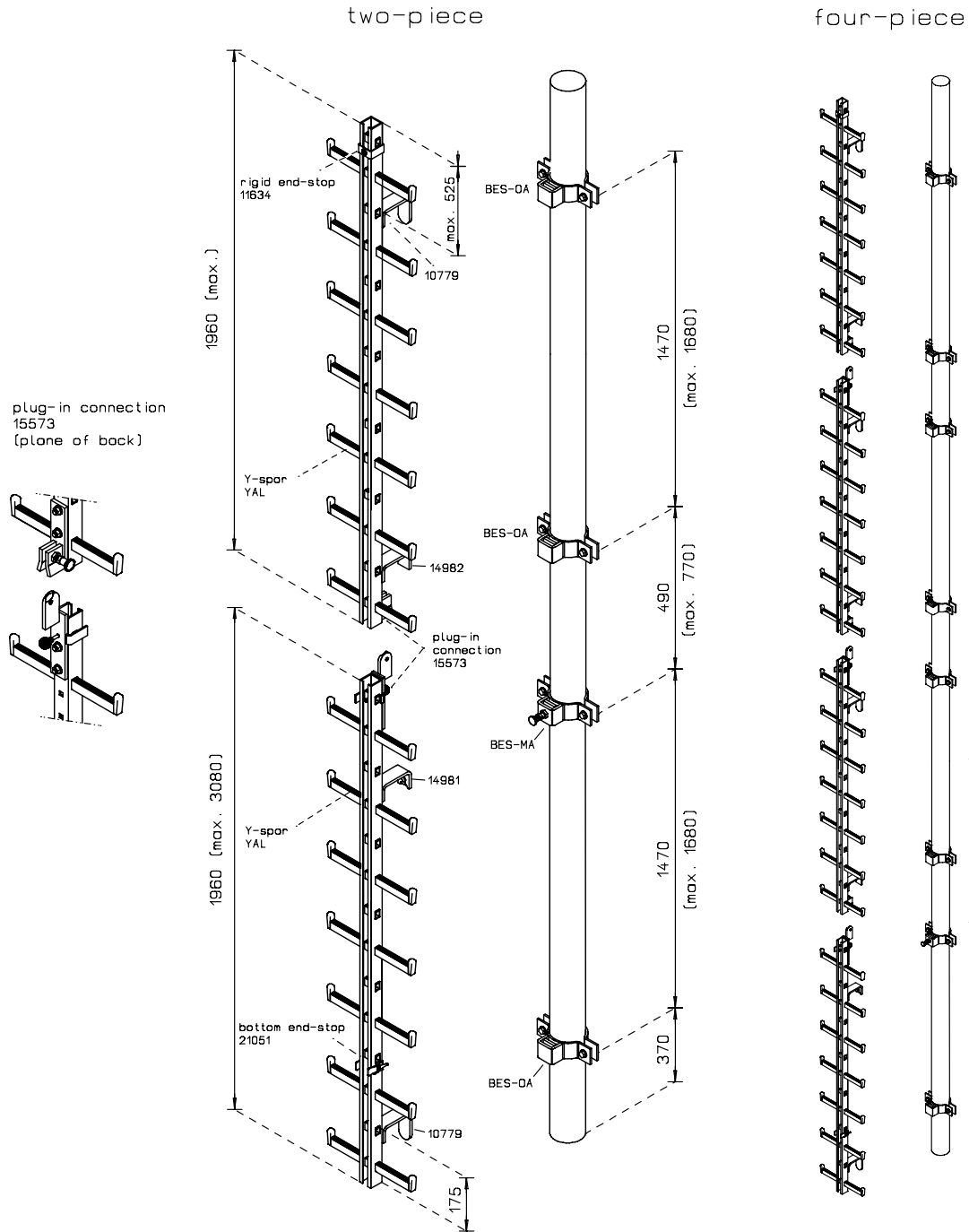
Technical specifications are subject to change without notice.

Engineering advice for insertion ladder



Technical specifications are subject to change without notice.

Engineering advice for insertion ladder (ladder supplied in sections) 4 sections - total length max. 8 m



Technical specifications are subject to change without notice.

Safety Ladders: Made of Aluminium Brackets

Tube clamp with projection

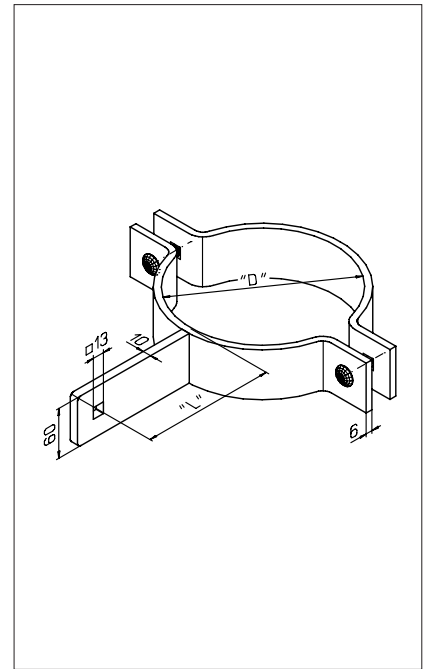
Only for use in conjunction with connector Part N. 17261. Length (L) depends on location of ladder installed (not to exceed 200 mm). When ordering specify tube diameter, type of ladder and mounting bracket for existing ladder.

Mast diameter: min. 60 mm
Mast diameter: max. 220 mm

Stainless steel
Part No. BES-MAL-<Ø in mm>

Wall and corner mounting bracket on request.

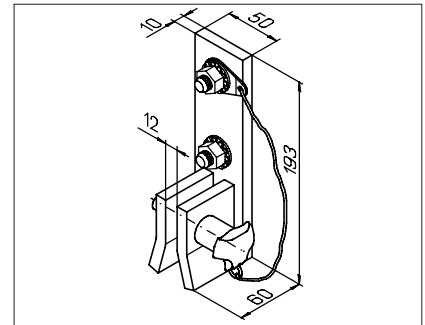
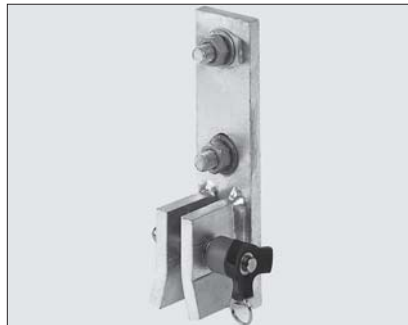
Note:
The projection „L“ is subject to the type of the bracket.



Connector for insertion ladder

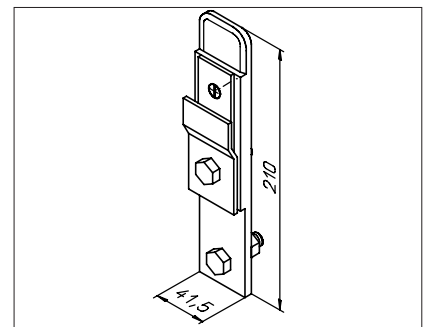
For connection onto tube clamp with projection (Part No. BES-MAL). Securing by means of locking bolt. Complete with screws for ladder installation.

Stainless steel
Weight: 0,9 kg/each
Part No. 17261



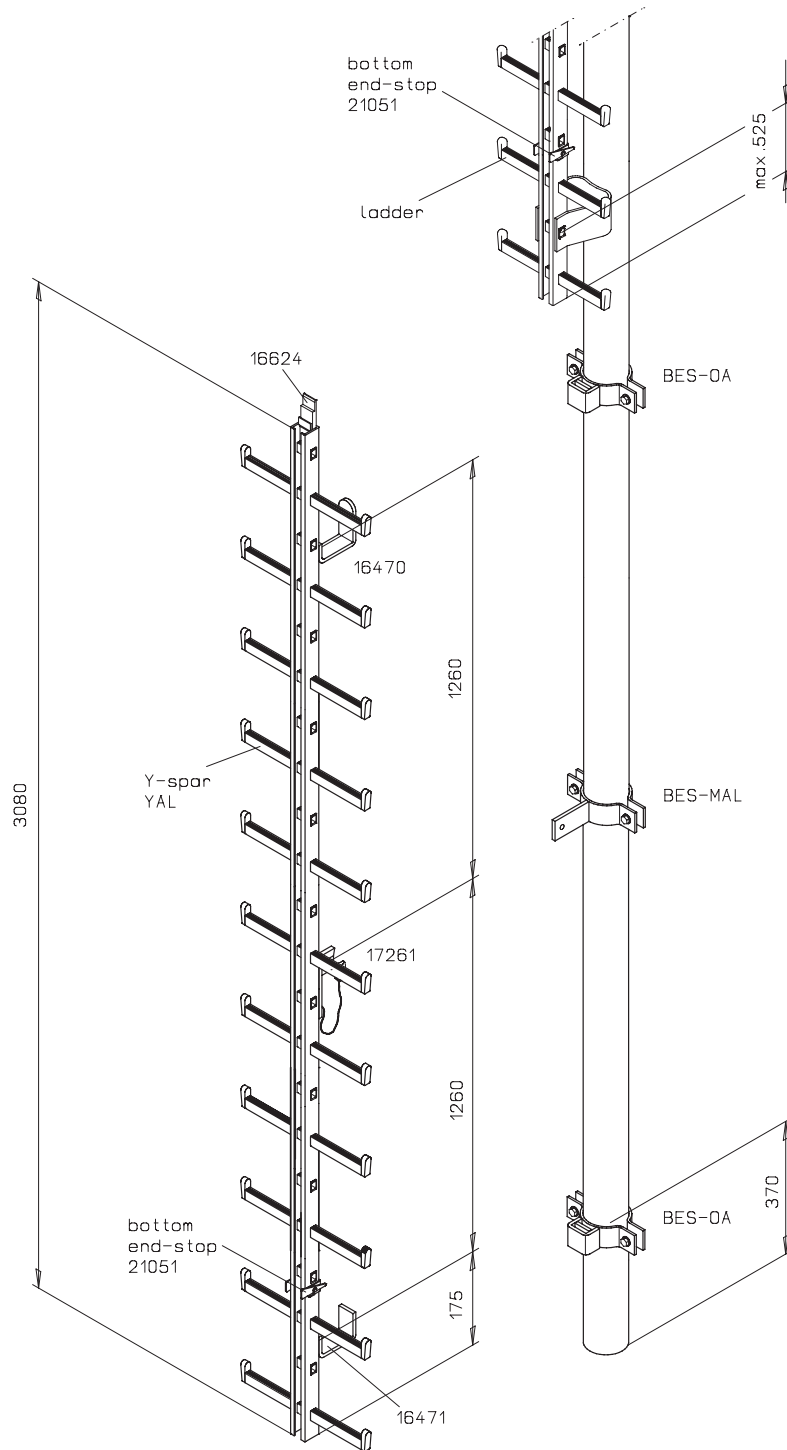
Connector
for insertion ladder. For installation from below. Complete with screws for ladder installation.

Aluminium, anodized
Weight: 0,4 kg/each
Part No. 16624



Technical specifications are subject to change without notice.

Engineering advise for insertion ladder Mounting from below



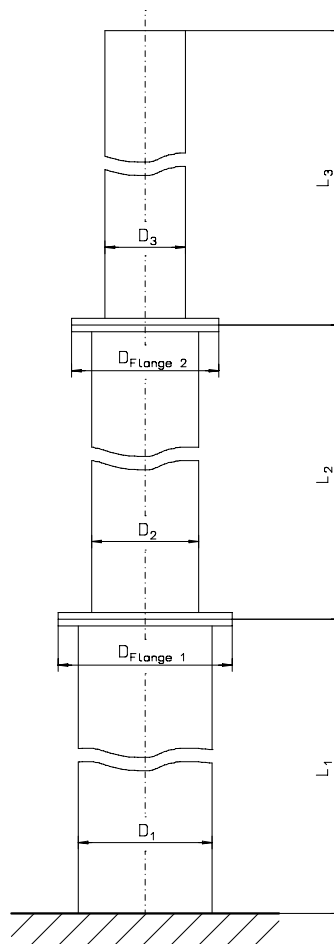
Technical specifications are subject to change without notice.

Installation considerations for tubular poles

Always keep the following details in mind when specifying a Söll Y-spar fall arrest system for tubular poles:

- diameter of each tubular section (D_1 , D_2 , D_3)
- length of each specific tube section (L_1 , L_2 , L_3)
- diameter of flanges ($\text{Diameter}_{\text{Flange 1}}$, $\text{Diameter}_{\text{Flange 2}}$)

The above information is required to properly determine and select projection of brackets and possibly required curves of a system.



Should the poste have components installed that may hinder or influence the installation of the fall arrest system, such details also need to be considered when determining the design and features and components of the Söll Y-spar fall arrest system.

Safety Ladders: Made of Aluminium Temporary Insertion Ladder Systems - Innovation for roof site access

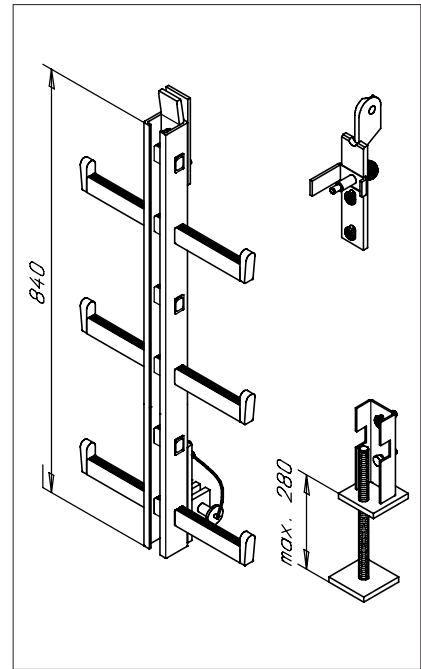
Design Principle:

The temporary insertion ladder section is used for vertical climbing where the access is interrupted in certain areas: e.g. running a ladder through a skylight. To access the site, the skylight is opened, the temporary ladder element is inserted between the two permanent ladder sections and the roof can be safely accessed.

Movable ladder section

Made of anodised aluminium. Profile 52X51mm. To be used i.e. by passing skylights. Delivery comprehends the holder as well as all necessary coupling parts. The ladder section with bolt has to be ordered separately.

Weight: 8,0 kg/each
Part No. 22404

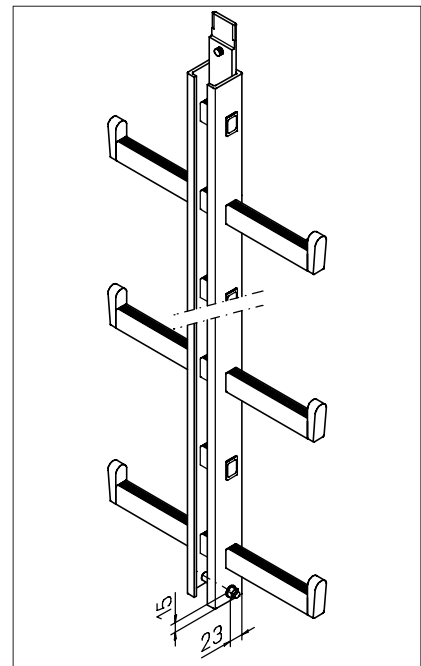


Y-Spar Ladder with bolt

Made of anodised aluminium. Profile 52x51. With coupling part at the top and bolt to insert the movable ladder section below. (Pls. See also description of Y-Spar page A1).

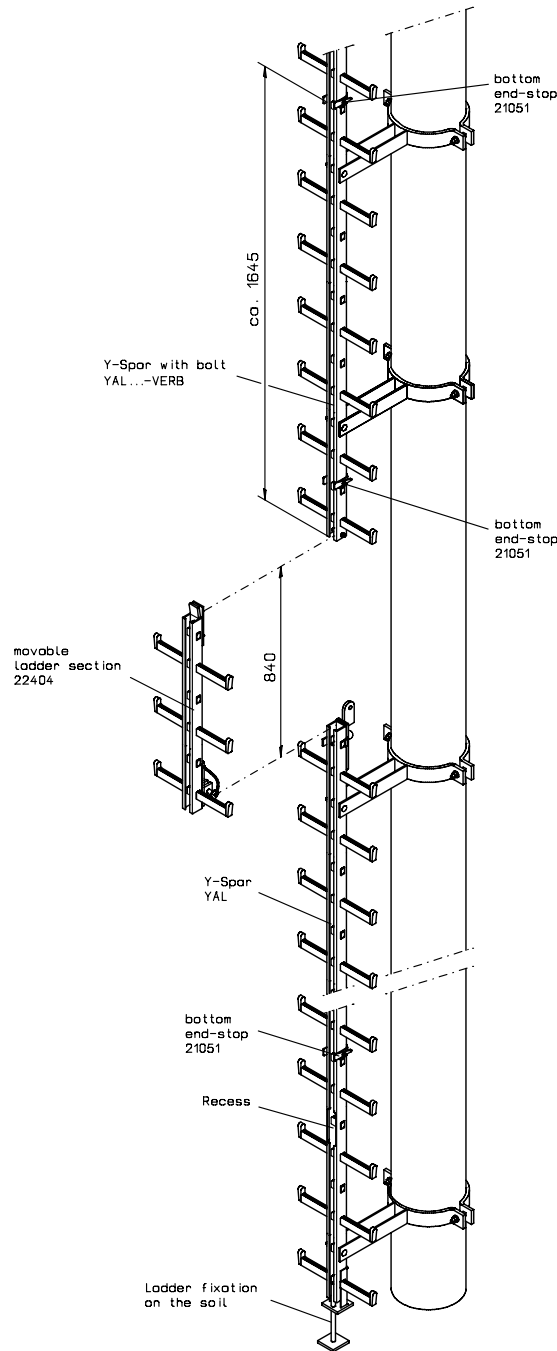
Weight: 0,9 kg/each
Part No.

YAL-<ladder length in mm>-VERB



Safety Ladders: Made of Aluminium

Planning aid for the movable ladder section



Technical specifications are subject to change without notice.

Safety Ladders: Aluminium Accessories

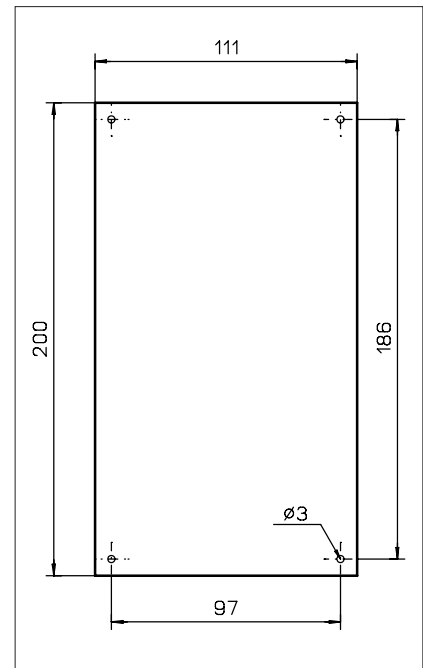
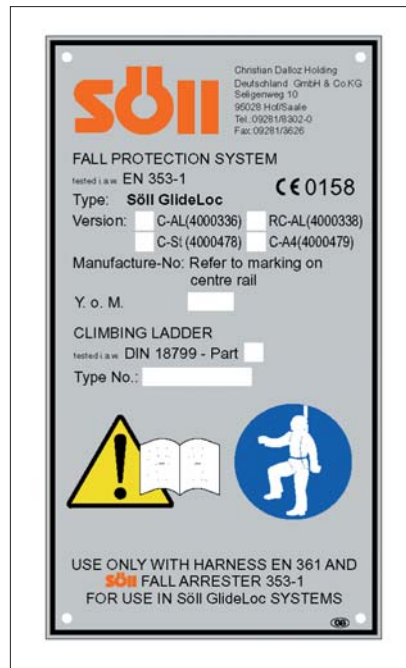
Identification plate

for Fall Protection Systems - Climbing Ladders.
Cover plate assembled in factory.

Part No. 19876 not graved

engraved

| Part No. | Denomination |
|----------|------------------------|
| 20881 | Y-Spar Alu, TB150 |
| 20883 | Twin-Ladder Alu, TB150 |



Söll Special Bolt

Special bolt for fixing Söll-Ladders and guide-rails to the mounting brackets. Comes with washer, lock washer and nut. Longer sizes upon request.

M 12 x 30

Galvanized steel: Part No. 15667

Stainless steel: Part No. 15669

M 12 x 35

Galvanized steel: Part No. 15850

Stainless steel: Part No. 15858

M 12 x 40

Galvanized steel: Part No. 15851

Stainless steel: Part No. 15859

M 12 x 50

Galvanized steel: Part No. 15852

Stainless steel: Part No. 15860

M 12 x 60

Galvanized steel: Part No. 15853

Stainless steel: Part No. 15861

M 12 x 70

Galvanized steel: Part No. 15854

Stainless steel: Part No. 15862

M 12 x 80

Galvanized steel: Part No. 15855

Stainless steel: Part No. 15863

M 12 x 90

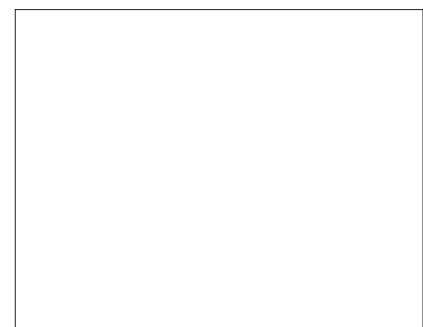
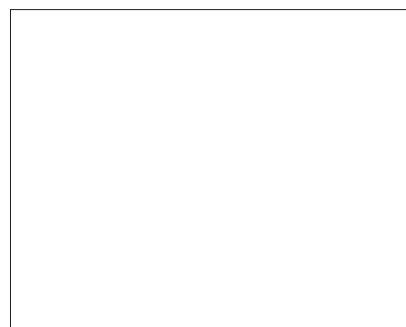
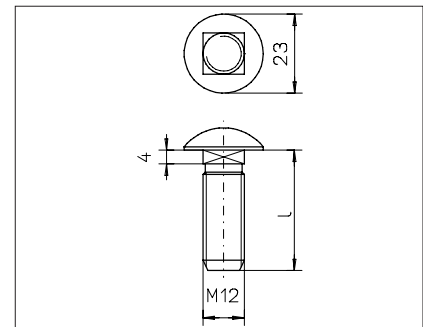
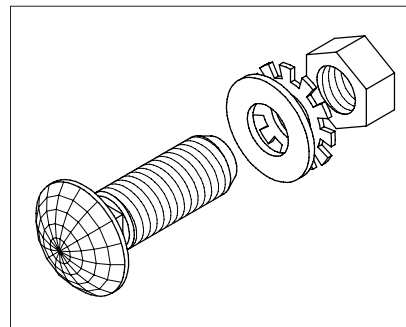
Galvanized steel: Part No. 15856

Stainless steel: Part No. 15864

M 12 x 100

Galvanized steel: Part No. 15857

Stainless steel: Part No. 15865



Technical specifications are subject to change without notice.

Safety Ladders: Made of Aluminium Accessories

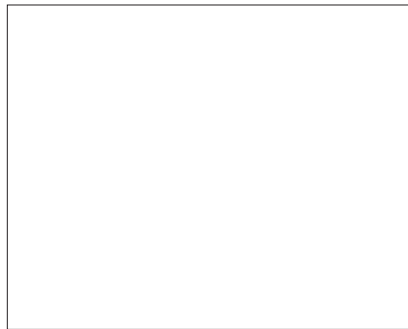
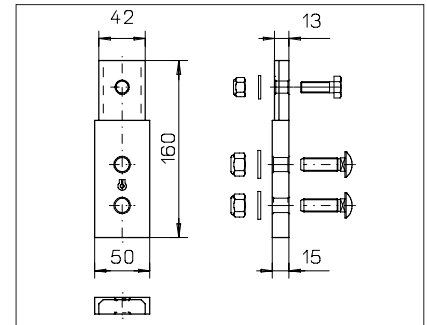
Coupling

To join different sizes of Söll guide-rails (52 mm x 51 mm and 50 mm x 32 mm) together.

Aluminium anodized

Weight: 0,3 kg/each

Part No. 10543



Folding Suspension Ladder

Folding suspension ladder without guide-rail. Used to bridge distances between permanently installed safety ladder and ground.

Length: 3.0 m

Weight: 6,5 kg/each

Part No. 16963

Length: 4.0 m

Weight: 9,5 kg/each

Part No. 17276

Special length upon request!

